

YAMAHA

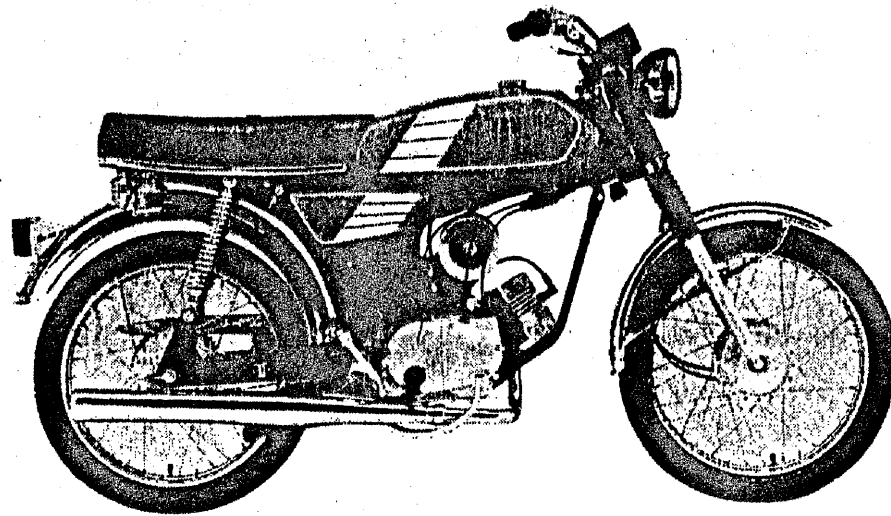
PARTS CATALOGUE

FS1'87 (2RU)

HOLLAND

72RU-341E1

A2



A3

FOREWORD

This Parts Catalogue is related to the parts in use for the Yamaha FS1 '87 (2RU).
When you are ordering replacement parts for the FS1 '87 (2RU), refer to this Parts Catalogue and quote both part numbers and part names correctly.

1. Modifications or additions which have been made after issue of the Parts Catalogue will be announced in the Yamaha Parts News.
It is advisable that according to the Yamaha Parts News you make necessary corrections to the Parts Catalogue on hand to keep it up-to-date.

2. Abbreviations

The following abbreviations are used in this Parts Catalogue.

- U.R. Use size (thickness) and/or number as required.
- U.N. Use as many as you need.
- A.P. Alternate Parts
- L.M. Local Made
- F# Frame No. (Applicable machine No.)

3. The parts marked with (*) in the parts number column of this Catalogue are not supplied with by Yamaha, those have to be found locally.
4. Parts, which are to be supplied in the form of assemblies, are listed with an indentation of one letter's space, and a dot (.) is put against the name of each part.

EXAMPLE CARBURETOR ASS'Y
 . JET, pilot
 . NOZZLE, main

5. Indication of No. of constituent parts for assembly

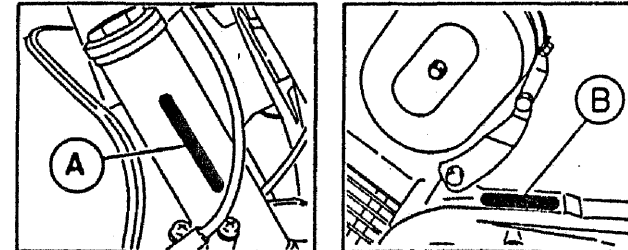
The numeral appearing to the right of each constituent part under the description indicates the quantity of such parts for each individual assembly unit.

EXAMPLE

Part No.	Description	Q'ty	Remarks
2F5-83310-60	FRONT FLASHER LIGHT ASS'Y	2	
115-83311-60	. BULB (6V-18W)	1	
1M1-83309-60	. REFLECTOR	1	

6. Initial Serial No. and Color Code

(A) Frame Serial No.	2RU-000101 and following
(B) Engine Serial No.	2RU-000101 and following



Color Code	Color Name	Abbreviate
G3	FRENCH BLUE	FBL
T5	MAXIM RED	MXR

7. Applicable colors of graphics are represented in the "Remarks" column by the letter(s) appropriately picked out of the full word(s) showing such colors.

EXAMPLE

Part No.	Description	Q'ty	Remarks
2N4-24110-00-X5	FUEL TANK COMP.	1	MAXIM RED
3J1-24240-10	. GRAPHIC, fuel tank set	1	for MXR

CONTENTS

ENGINE

Cylinder	B2
Crankshaft, Piston	B3
Oil Pump	B4
Intake	B5 ~ B6
Carburetor	B7
Exhaust	B8
Crankcase	B9
Crankcase Cover 1	B10
Starter	B11
Clutch	B12
Transmission	B13
Shift Cam. Fork	B14
Shift Shaft	B15

CHASSIS

Frame	C2
Fender	C3
Side Cover	C4
Oil Tank	C5
Rear Arm. Suspension	C6
Steering	C7
Front Fork	C8
Fuel Tank	C9
Seat	C10
Front Wheel	C11 ~ C12
Rear Wheel	C13 ~ C14
Steering Handle. Cable	C15
Stand. Footrest	D2
Generator	D3

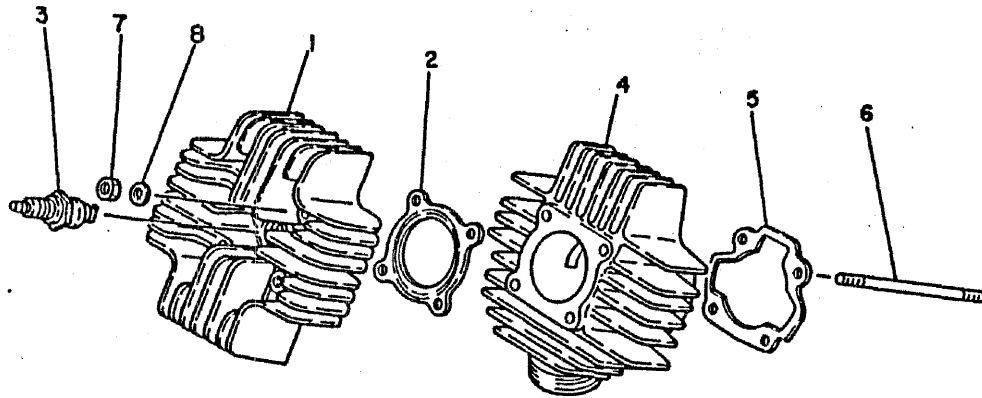
Flasher Light	D4
Meter	D5
Headlight	D6
Taillight	D7
Handle Switch. Lever	D8
Electrical 1	D9 ~ D10
Electrical 2	D11

INDEX

Numerical Index	M1 ~ M3
-----------------------	---------

FIG. 1 CYLINDER

REF. NO.	PART NO.	DESCRIPTION	Q'TY	REMARKS
1	3F1-11111-00	HEAD, cylinder 1	1	
2	517-11181-00	GASKET, cylinder head 1	1	
3	94701-00248	PLUG, spark (NGK BR6HS)	1	
4	2RU-11311-00	CYLINDER 1	1	
5	3E1-11351-00	GASKET, cylinder	1	
6	90116-06026	BOLT, stud	4	
7	95303-06600	NUT	4	
8	92901-06200	WASHER, plain	4	



2RV310-7010

B2

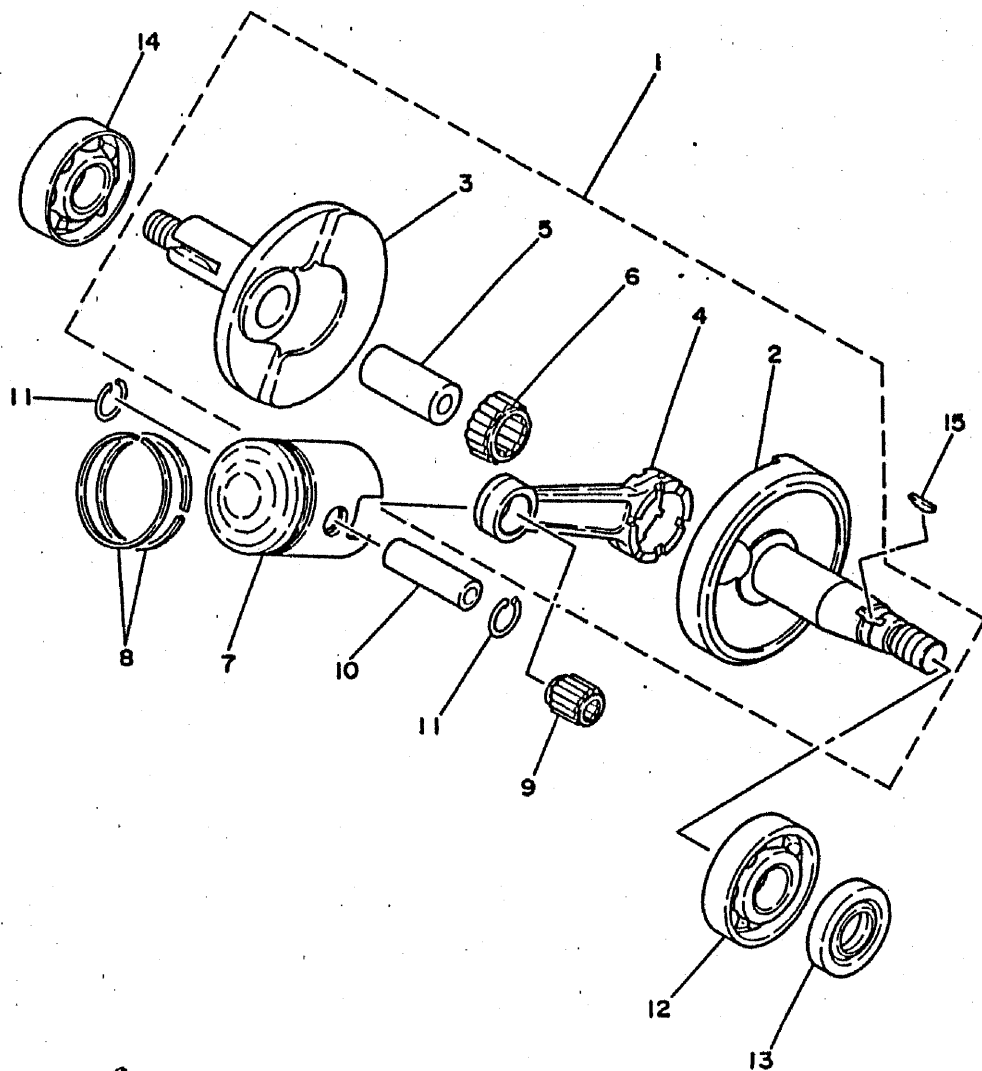


FIG. 2 CRANKSHAFT. PISTON

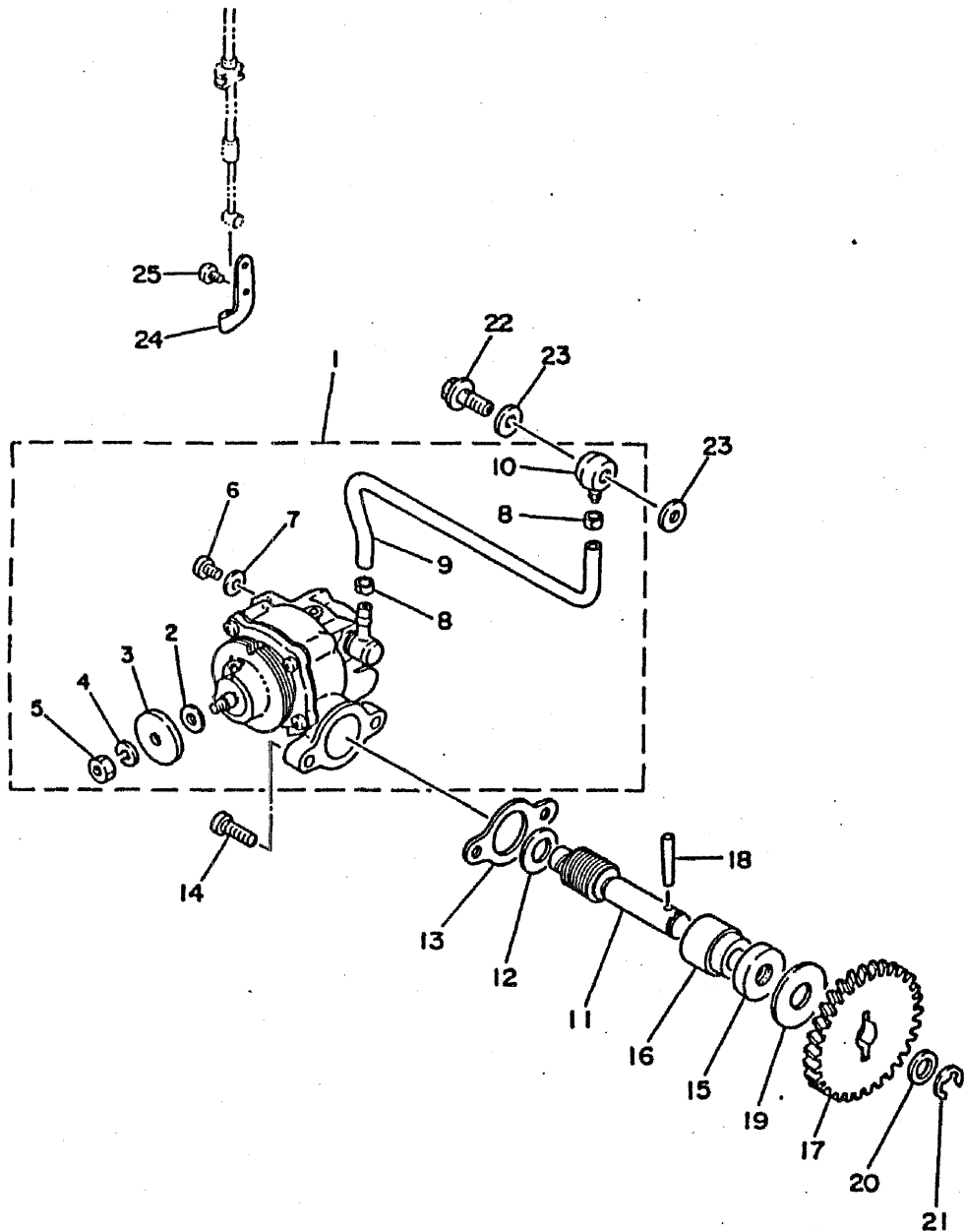
REF. NO.	PART NO.	DESCRIPTION	Q'TY	REMARKS
1	3E8-11400-00	CRANKSHAFT ASSY	1	
2	3E8-11412-00	.CRANK 1	1	
3	3E8-11422-00	.CRANK 2	1	
4	3R1-11651-01	.ROD, connecting	1	
5	257-11681-00	.PIN, crank 1	1	
6	93310-418T0	.BEARING, cylindrical	1	
7	3E8-11631-00-96	PISTON (STD)	1	
	3E8-11635-00	PISTON (0.25MM O/S)	1	AP
	3E8-11636-00	PISTON (0.50MM O/S)	1	AP
8	260-11601-02	PISTON RING SET (STD)	1	
	260-11601-12	PISTON RING SET (1ST O/S)	1	AP
	260-11601-22	PISTON RING SET (2ND O/S)	1	AP
9	93310-11268	BEARING, cylindrical	1	
10	102-11633-02	PIN, piston	1	
11	93450-13022	CIRCLIP	2	
12	93306-20453	BEARING	1	
13	93102-20009	OIL SEAL	1	
14	93306-30302	BEARING (B6303C3)	1	
15	90280-03017	KEY, woodruff	1	



5A1310-2020

B3

FIG. 3 OIL PUMP

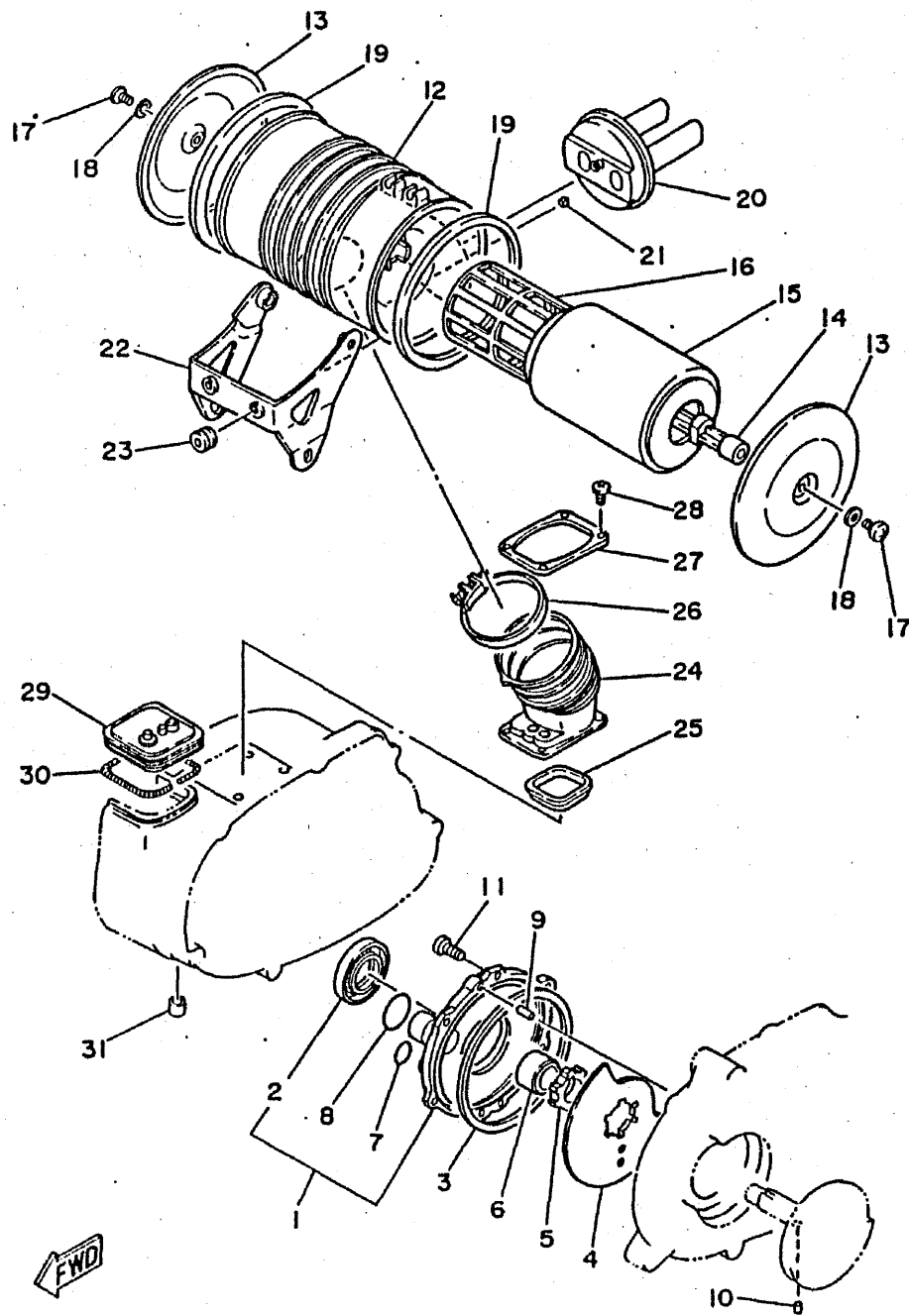


REF. NO.	PART NO.	DESCRIPTION	Q'TY	REMARKS
1	3F6-13101-00	OIL PUMP ASSY	1	
2	137-13137-00-10	.SHIM (1.0T)	1	
3	137-13138-01	.PLATE, adjusting	1	
4	92901-05100	.WASHER, spring	1	
5	95301-05600	.NUT	1	
6	98901-04008	.SCREW, blind	1	
7	90430-04004	.GASKET	1	
8	90468-02033	.CLIP	2	
9	90445-05019	.HOSE	1	
10	214-13162-01	.BANJO, delivery pipe	1	
11	257-13175-00	SHAFT, worm	1	
12	90201-08624	WASHER, plate	1	
13	8Y0-13116-00	GASKET, pump case	1	
14	98501-05016	SCREW, pan head	2	
15	93101-10090	OIL SEAL	1	
16	1E7-13176-00	METAL, worm shaft outer	1	
17	257-13178-00	GEAR, pump drive (30T)	1	
18	93603-22028	PIN, dowel	1	
19	90201-105H9	WASHER, plate	1	
20	90201-10135	WASHER, plate	1	
21	99001-08600	CIRCLIP	1	
22	90401-06001	BOLT, union	1	
23	90430-06011	GASKET	2	
24	3F2-13151-00	STAY	1	
25	98501-05008	SCREW, pan head	2	



2RV310-7030

B4



2RU341-7040

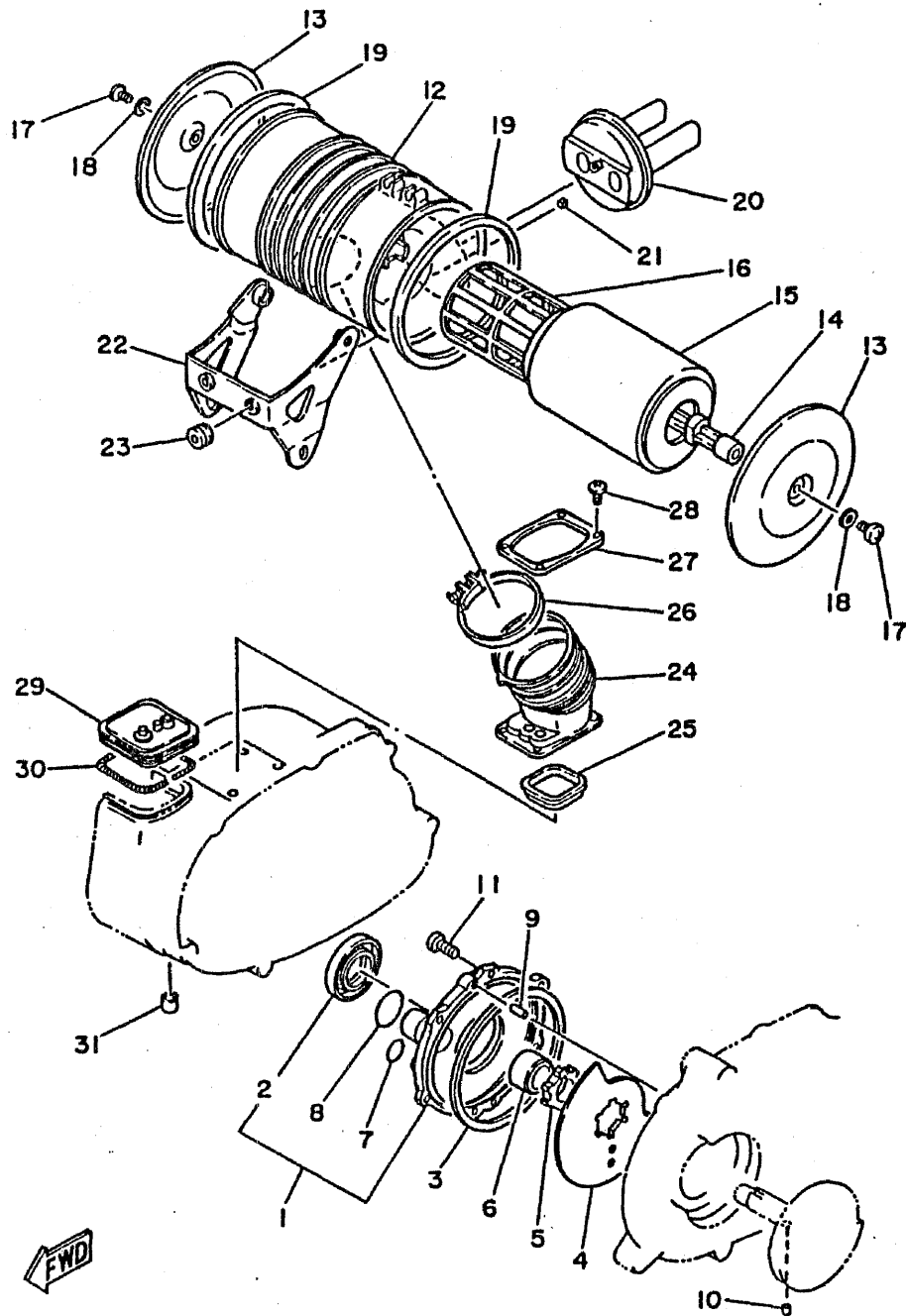
FIG. 4 INTAKE

REF. NO.	PART NO.	DESCRIPTION	Q'TY	REMARKS
1	257-13551-00	COVER, valve	1	
2	93103-28012	.OIL SEAL	1	
3	180-13554-00	RING, rubber	1	
4	257-13512-01	VALVE, rotary	1	
5	257-13515-00	COLLAR, valve	1	
6	90387-17135	COLLAR	1	
7	93210-12014	O-RING	1	
8	93210-23029	O-RING	1	
9	93604-14012	PIN, dowel	2	
10	93603-08067	PIN, dowel	1	
11	92501-06014	SCREW, pan head	6	
12	2N3-14411-00	CASE, air cleaner 1	1	
13	2N3-14412-00	CAP, cleaner case 1	2	
14	2N3-14493-00	STAY 1	1	
15	2U0-14451-00	ELEMENT, air cleaner	1	
16	2U0-14458-00	GUIDE	1	
17	98903-06010	SCREW, bind	2	
18	90430-06017	GASKET	2	
19	2N3-14476-01	SEAL	2	
20	58E-14437-00	DUCT	1	
21	278-16165-00	ABSORBER	1	
22	2N3-14498-00	STAY 1	1	
23	90480-10091	GROMMET	2	
24	58E-14453-00	JOINT, air cleaner 1	1	
25	4A5-14458-00	GUIDE	1	
26	90460-53140	CLAMP, hose	1	
27	4A5-14417-00	COVER 1	1	
28	98501-04008	SCREW, pan head	4	

B5

FIG. 4 INTAKE

REF. NO.	PART NO.	DESCRIPTION	Q'TY	REMARKS
29	288-14481-02	CAP, carburetor	1	
30	90506-06095	SPRING, tension	1	
31	257-15433-00	CLEANER, drain	1	



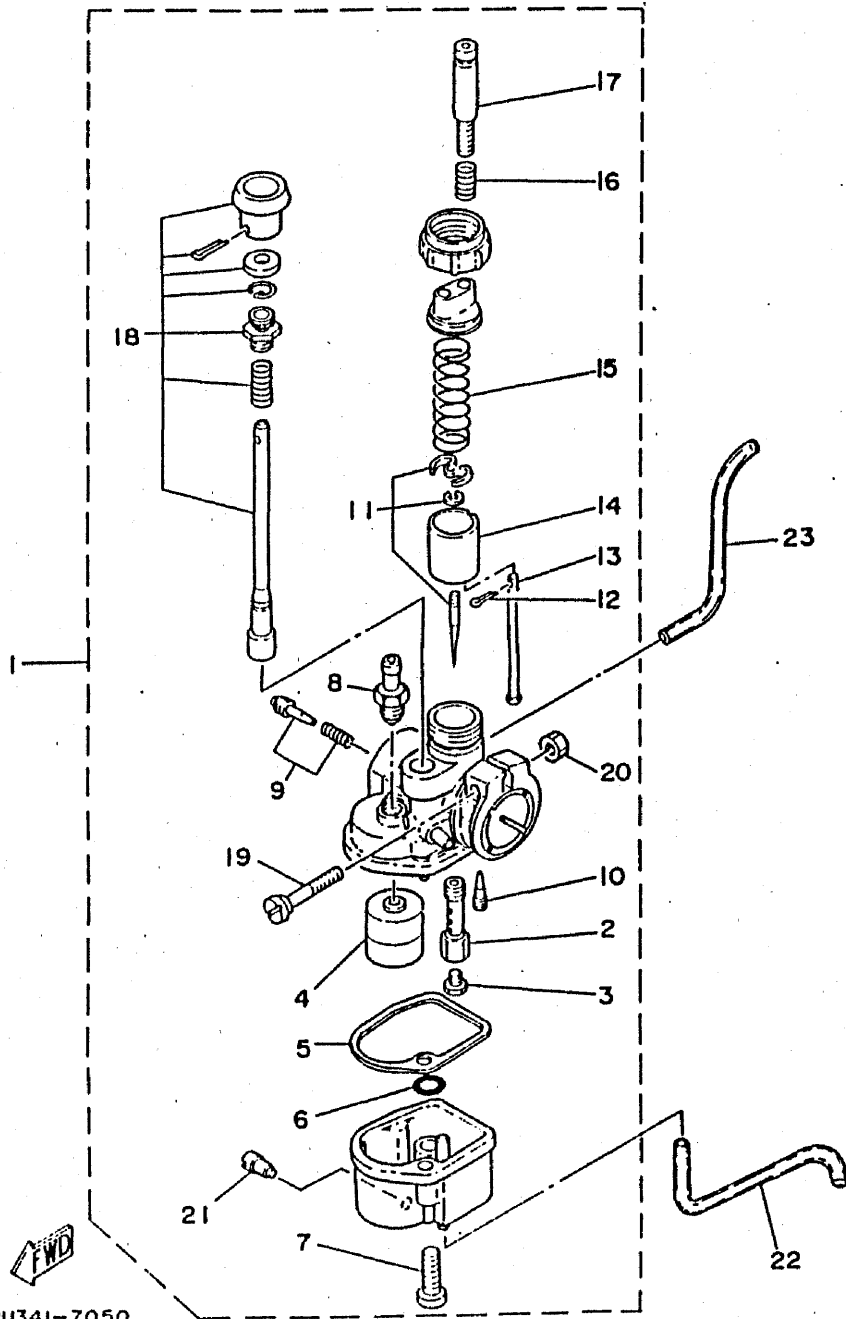
FWD

2RU341-7040

B6

FIG. 5 CARBURETOR

REF. NO.	PART NO.	DESCRIPTION	Q'TY	REMARKS
1	2RU-14101-00	CARBURETOR ASSY 1	1	
2	127-14141-14	.NOZZLE, main	1	
3	2RU-1414Y-00	.JET, main ((78)	1	
4	470-14185-00	.FLOAT	1	
5	260-14184-00	.GASKET, float chamber	1	
6	93220-08002	.O-RING	1	
7	92502-16018	.SCREW, pan head	1	
8	260-14190-12	.NEEDLE VALVE ASSY	1	
9	127-W1412-00	.AIR SCREW SET	1	
10	260-14142-25	.JET, pilot (# 25)	1	
11	5K2-1490J-00	.NEEDLE SET	1	
12	91401-12010	.PIN, cotter	1	
13	405-14114-00	.BAR, throttle	1	
14	283-14112-25	.VALVE, throttle 1	1	
15	127-14131-00	.SPRING, throttle valve	1	
16	127-14133-00	.SPRING, throttle stop	1	
17	395-14121-00	.SCREW, throttle stop	1	
18	5K2-1410A-00	.STARTER SET	1	
19	127-14125-01	.SCREW	1	
20	95301-05600	.NUT	1	
21	12R-14191-00	.PLUG, drain	1	
22	90445-05013	HOSE	1	
23	90445-074F1	HOSE	1	

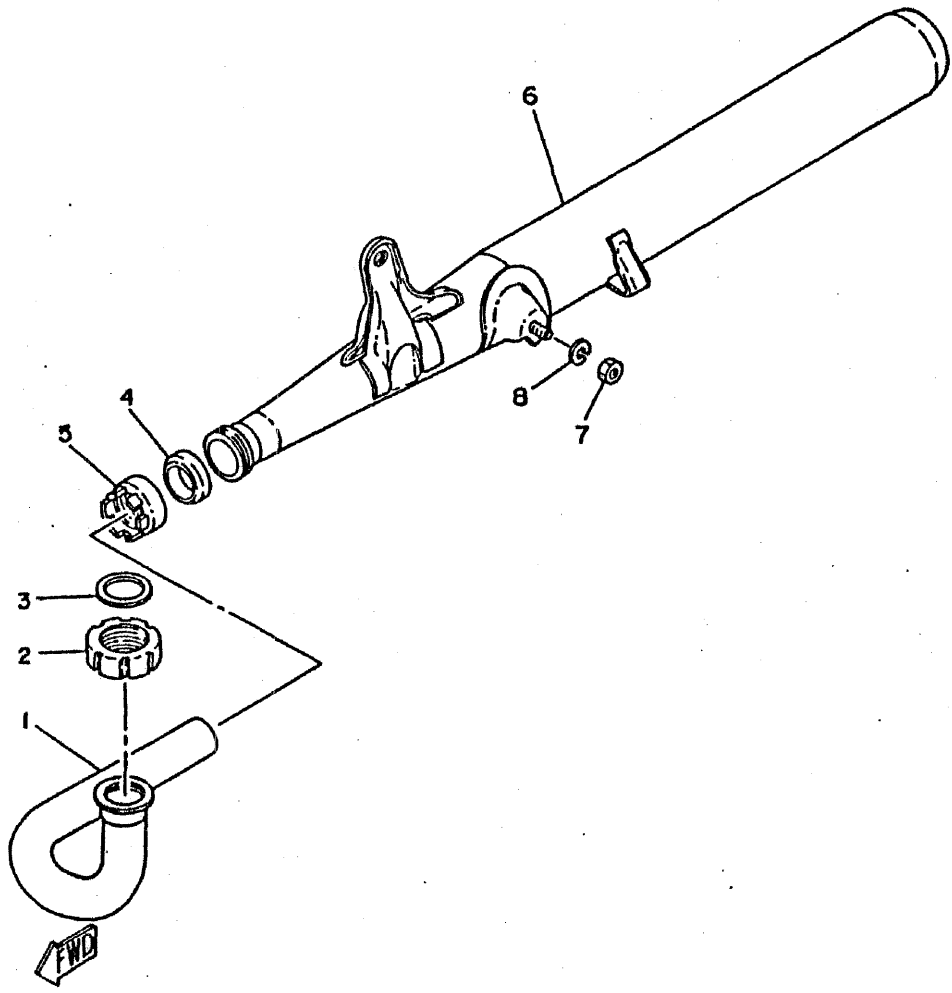


2RU341-7050

B7

FIG. 6 EXHAUST

REF. NO.	PART NO.	DESCRIPTION	Q'TY	REMARKS
1	348-14611-00	PIPE, exhaust 1	1	
2	1L4-14612-00	NUT, ring	1	
3	132-14613-00	GASKET, exhaust pipe	1	
4	1J5-14714-00	GASKET, muffler	1	
5	1J5-14713-00	NUT, muffler joint	1	
6	2RU-14710-00	MUFFLER ASSY 1	1	
7	95303-08600	NUT	1	
8	92990-08100	WASHER, spring	1	

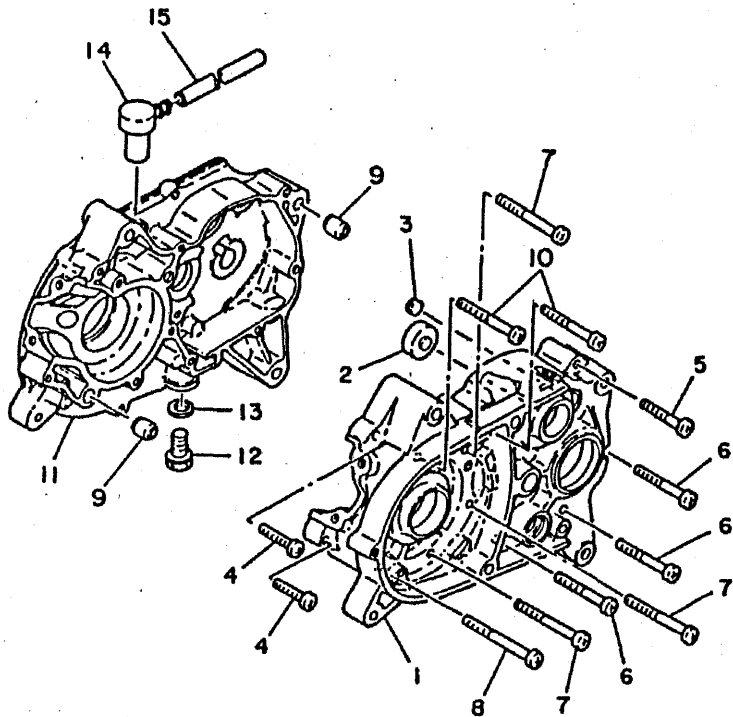


2RT342-7060

B8

FIG. 7 CRANKCASE

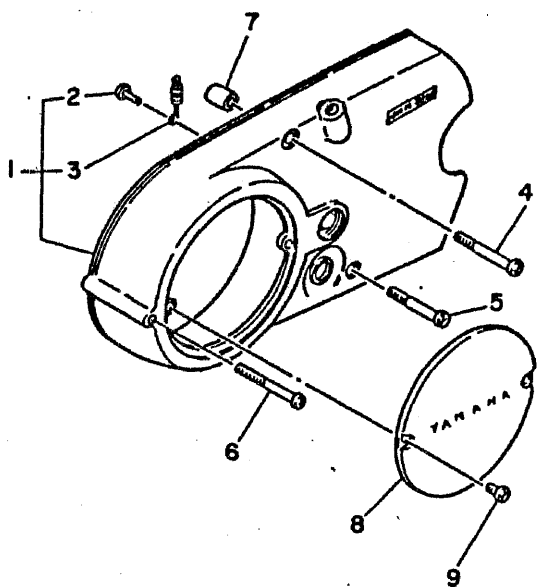
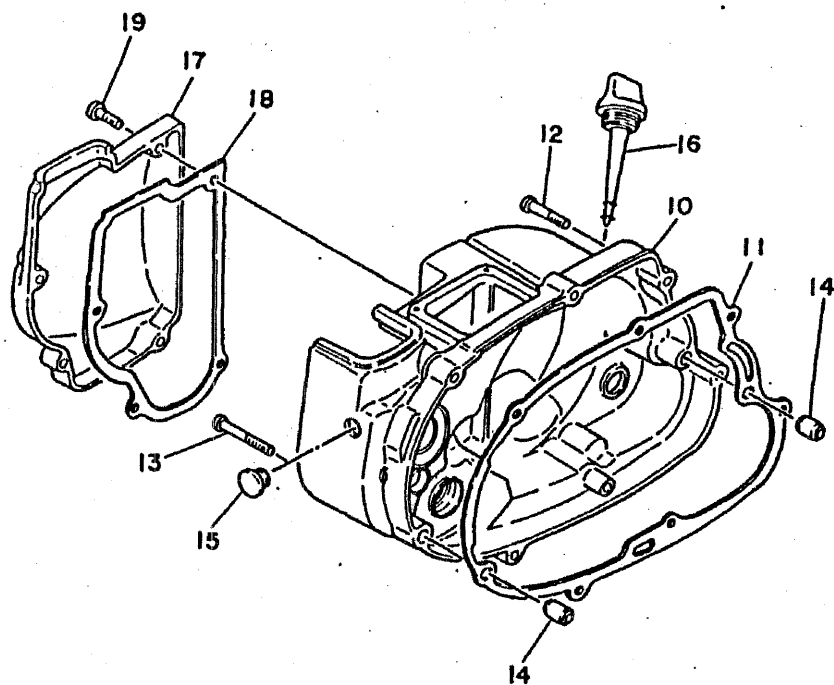
REF. NO.	PART NO.	DESCRIPTION	Q'TY	REMARKS
1	257-15111-01	CRANKCASE 1	1	
2	90338-26136	PLUG	1	
3	90334-10006	PLUG, straight	1	
4	92501-06030	SCREW, pan head	2	
5	92503-06045	SCREW, pan head	1	
6	92501-06050	SCREW, pan head	3	
7	92501-06060	SCREW, pan head	3	
8	92501-06065	SCREW, pan head	1	
9	99510-12016	PIN, dowel	2	
10	92501-06055	SCREW, pan head	2	
11	257-15121-01	CRANKCASE 2	1	
12	90340-12005	PLUG, straight screw	1	
13	90430-12038	GASKET	1	
14	498-15371-00	BREATHER	1	
15	90446-07009	HOSE	1	



5A1310-2080

B9

FIG. 8 CRANKCASE COVER 1



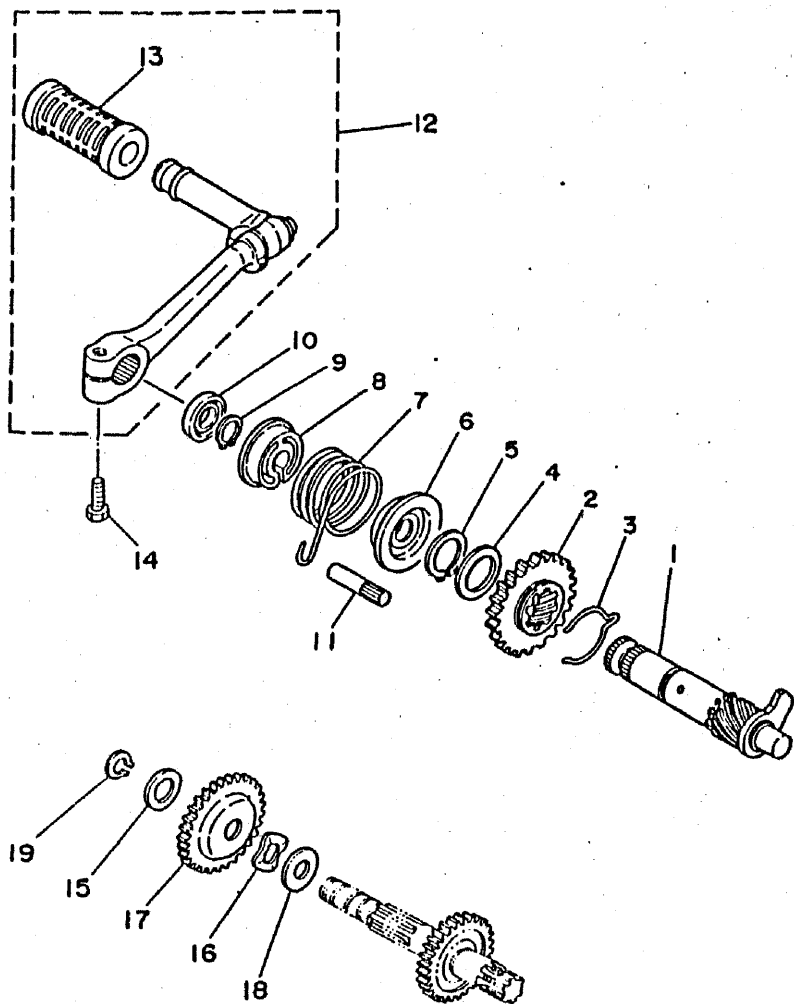
REF. NO.	PART NO.	DESCRIPTION	Q'TY	REMARKS
1	257-W1541-01	CRANKCASE COVER ASSY 1	1	
2	132-16346-00	.HOOK, spring	1	
3	90506-07066	.SPRING, tension	1	
4	92503-06045	SCREW, pan head	2	
5	92501-06040	SCREW, pan head	1	
6	92501-06050	SCREW, pan head	1	
7	99530-10014	PIN, dowel	2	
8	164-15415-00	COVER, generator	1	
9	98501-04006	SCREW, pan head	2	
10	257-15421-01	COVER, crankcase 2	1	
11	257-15451-00	GASKET, crankcase cover 1	1	
12	92501-06030	SCREW, pan head	6	
13	92501-06040	SCREW, pan head	1	
14	99530-10014	PIN, dowel	2	
15	90480-12012	GROMMET	1	
16	315-15362-01	PLUG, oil level	1	
17	257-15413-00	COVER, carburetor	1	
18	257-15463-00	GASKET, carburetor cover 2	1	
19	92501-06018	SCREW, pan head	4	



5A1310-2090

B10

FIG. 9 STARTER



REF. NO.	PART NO.	DESCRIPTION	Q'TY	REMARKS
1	305-15660-04	KICK AXLE ASSY	1	
2	305-15641-00	GEAR, kick (26T)	1	
3	90468-26048	CLIP	1	
4	117-15644-00	SHIM	1	
5	93410-25017	CIRCLIP	1	
6	132-15664-01	GUIDE, spring	1	
7	90508-26136	SPRING, torsion	1	
8	132-15676-01	COVER, spring	1	
9	99009-15400	CIRCLIP	1	
10	93109-15001	OIL SEAL	1	
11	257-15668-00	STOPPER	1	
12	257-15620-01-91	KICK CRANK ASSY	1	UNI CHROME
13	156-15618-01	.COVER, kick lever	1	
14	97311-06025	BOLT	1	
15	90201-13202	WASHER, plate	1	
16	90206-15021	WASHER, wave	1	
17	257-15651-01	GEAR, kick idle (26T)	1	
18	132-15653-00-10	WASHER	1	
19	99009-13400	CIRCLIP	1	

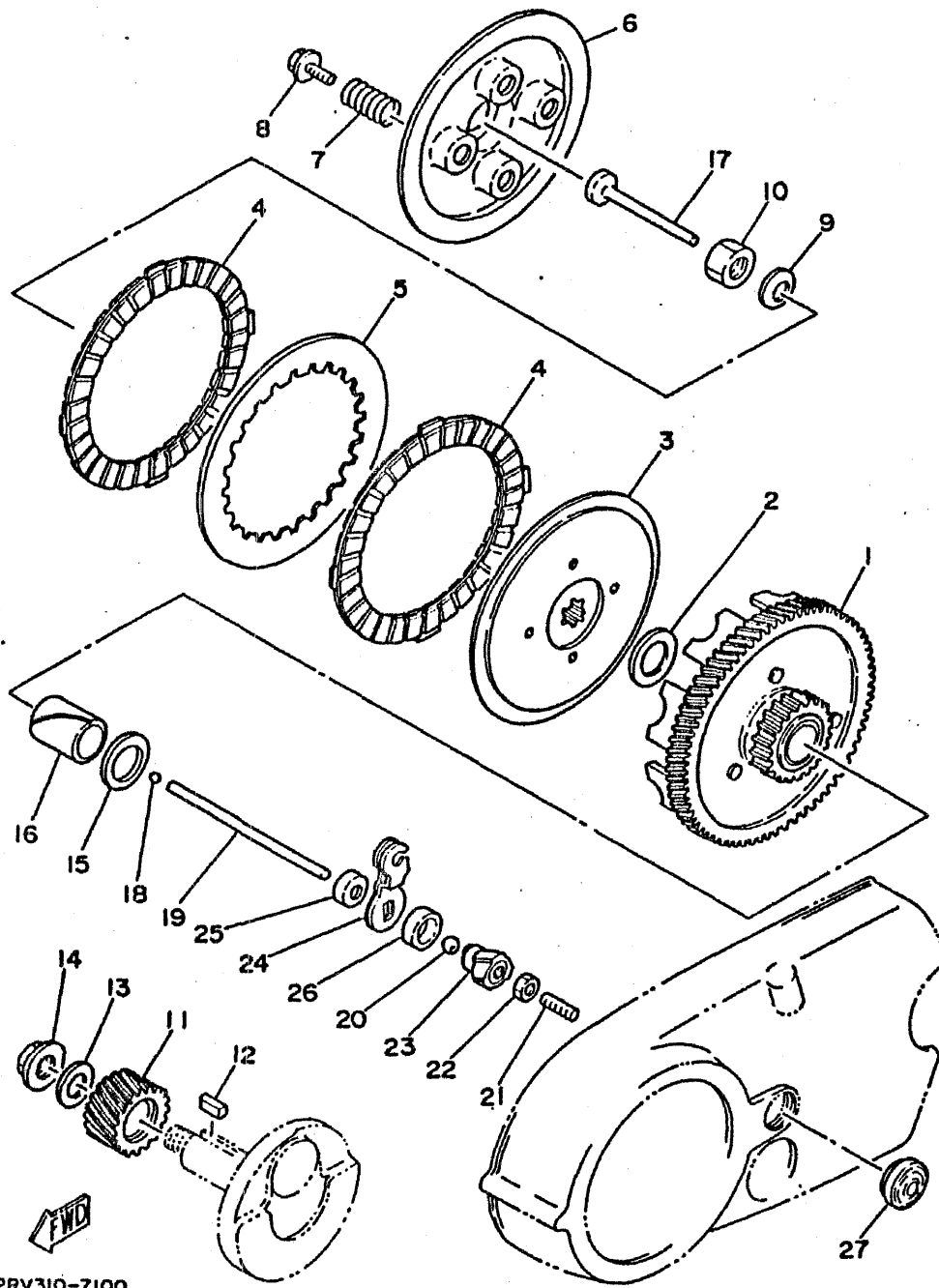


2RV310-7090

B11

FIG. 10 CLUTCH

REF. NO.	PART NO.	DESCRIPTION	Q'TY	REMARKS
1	257-16150-03	PRIMARY DRIVEN GEAR COMP.	1	
2	122-16164-00	PLATE, thrust 2	1	
3	257-16371-01	BOSS, clutch	1	
4	131-16321-00	PLATE, friction	2	
5	257-16324-00	PLATE, clutch 1	1	
6	257-16351-00	PLATE, pressure 1	1	
7	90501-20122	SPRING, compression	4	
8	90119-05001	BOLT, with washer	4	
9	90208-12015	WASHER, conical spring	1	
10	90170-12060	NUT	1	
11	257-16111-01	GEAR, primary drive (19T)	1	
12	90282-05005	KEY, straight	1	
13	90208-12015	WASHER, conical spring	1	
14	90179-12244	NUT	1	
15	122-16164-00	PLATE, thrust 2	1	
16	90560-17150	SPACER	1	
17	137-16356-00	ROD, push 1	1	
18	93503-16010	BALL	1	
19	257-16357-00	ROD, push 2	1	
20	93501-04011	BALL	1	
21	90113-06009	BOLT, set	1	
22	95303-06700	NUT	1	
23	257-16341-00	SCREW, push	1	
24	257-16342-00	LEVER, push	1	
25	93102-04382	OIL SEAL	1	
26	93108-15001	OIL SEAL	1	
27	257-15417-01	COVER, cap	1	

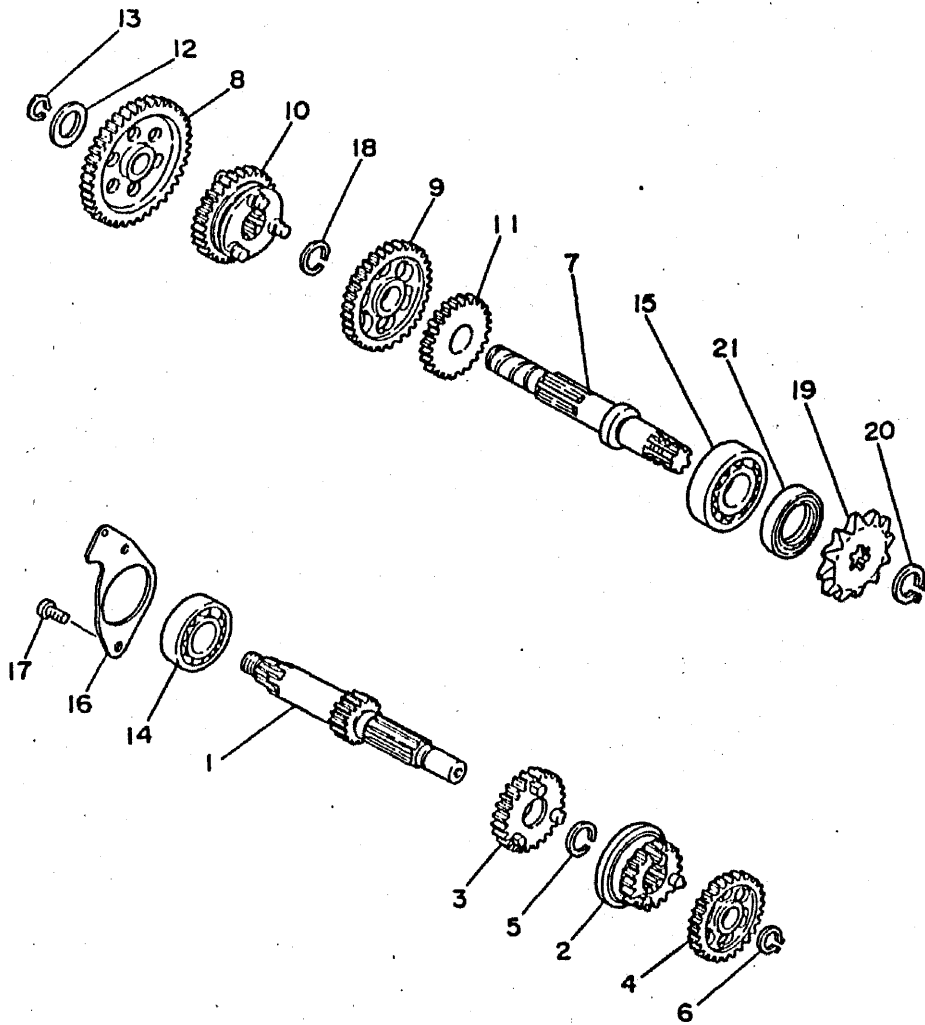


2RV310-7100

B12

FIG. 11 TRANSMISSION

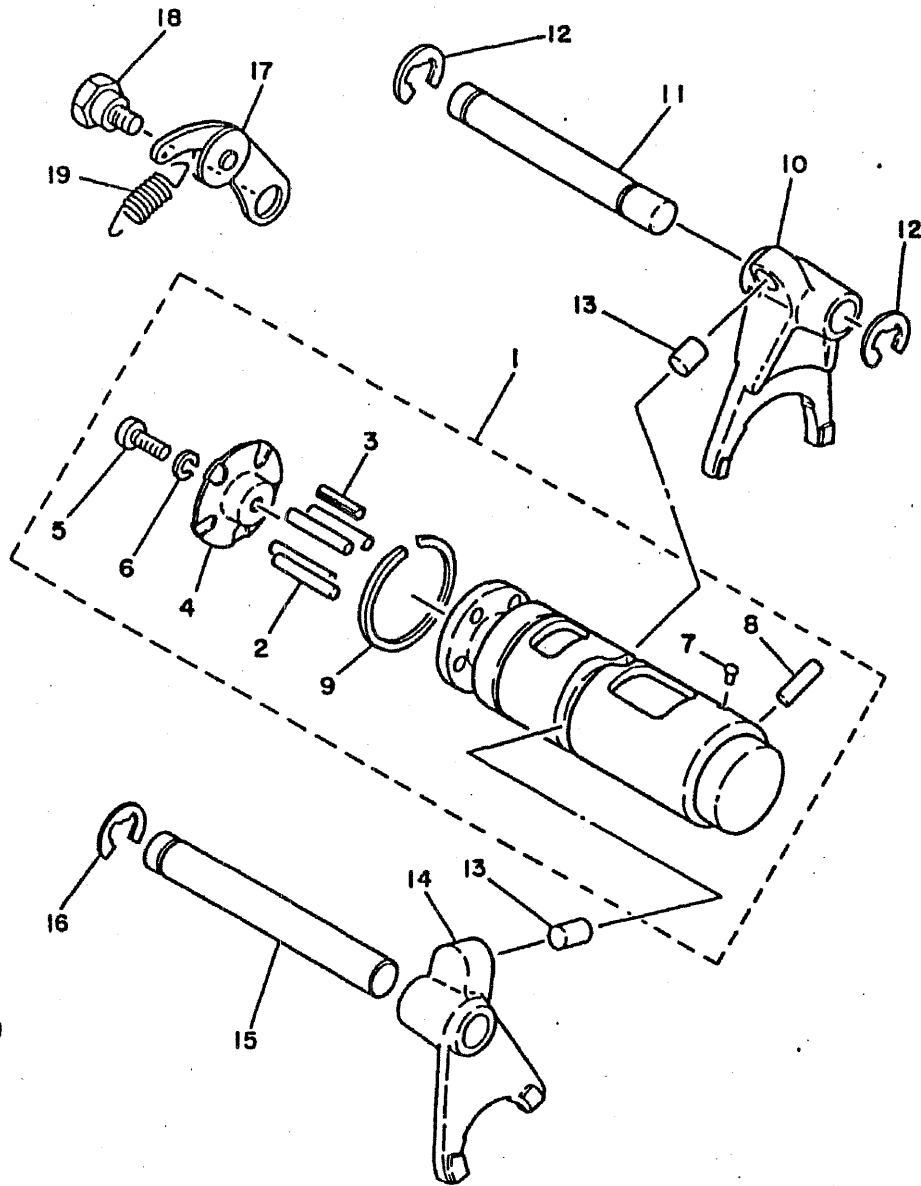
REF. NO.	PART NO.	DESCRIPTION	Q'TY	REMARKS
1	257-17411-01	AXLE, main (13T)	1	
2	257-17121-00	GEAR, 2nd pinion (18T)	1	
3	257-17131-01	GEAR, 3rd pinion (23T)	1	
4	257-17141-00	GEAR, 4th pinion (26T)	1	
5	93440-16030	CIRCLIP	1	
6	99009-13400	CIRCLIP	1	
7	3F0-17421-00	AXLE, drive	1	
8	257-17211-00	GEAR, 1st wheel (40T)	1	
9	257-17221-01	GEAR, 2nd wheel (34T)	1	
10	257-17231-00	GEAR, 3rd wheel (30T)	1	
11	3E8-17241-00	GEAR, 4th wheel (27T)	1	
12	257-17219-00	SHIM (0.6T)	1	
13	99009-13400	CIRCLIP	1	
14	93306-20333	BEARING	1	
15	93306-30301	BEARING (B6303)	1	
16	257-17471-01	PLATE, cover	1	
17	92501-06012	SCREW, pan head	2	
18	93440-16030	CIRCLIP	1	
19	93811-12009	SPROCKET, drive 12t (2571746121)	1	
20	99009-16400	CIRCLIP	1	
21	93102-17187	OIL SEAL	1	



2RV310-7110

B13

FIG. 12 SHIFT CAM. FORK



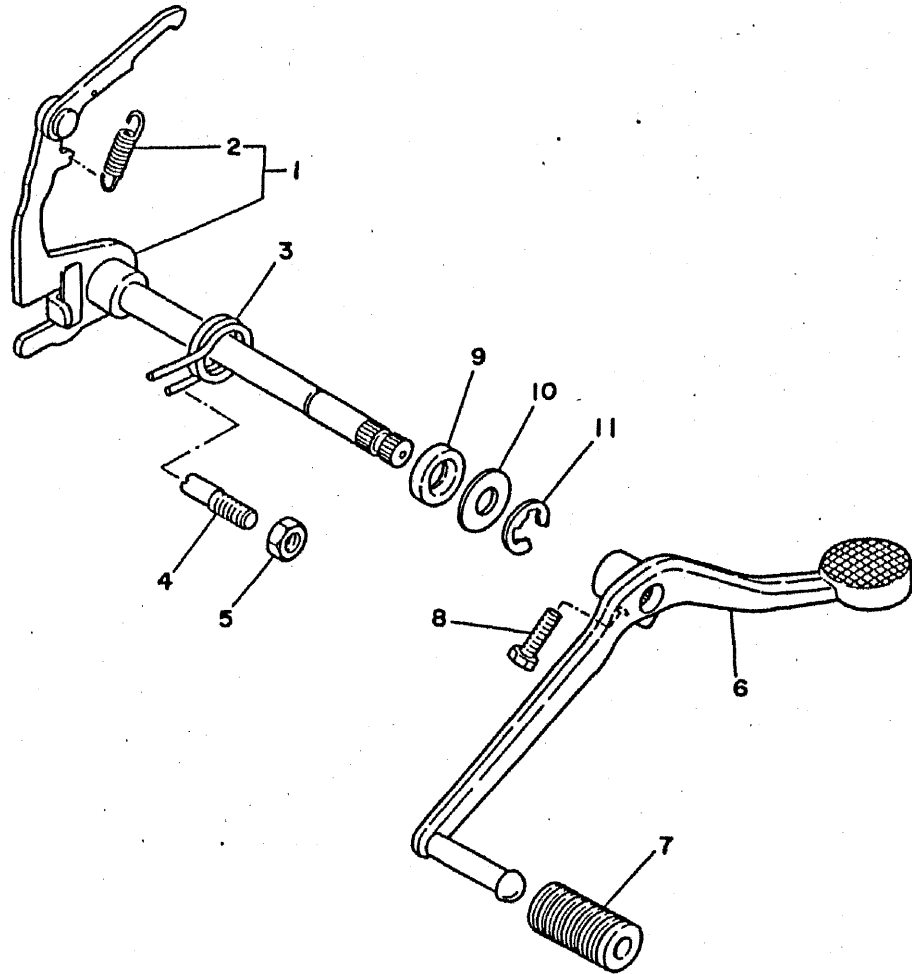
REF. NO.	PART NO.	DESCRIPTION	Q'TY	REMARKS
1	257-18540-60	SHIFT CAM ASSY	1	
2	93604-22050	.PIN, dowel	4	
3	91609-40016	.PIN, spring	1	
4	164-18561-00	.PLATE, side 1	1	
5	98501-05012	.SCREW, pan head	1	
6	92901-05100	.WASHER, spring	1	
7	136-18542-00	.POINT, neutral	1	
8	93605-20043	.PIN, dowel	1	
9	93440-32017	.CIRCLIP	1	
10	259-18511-01	FORK, shift 1	1	
11	257-18534-00	BAR, shift fork guide	1	
12	99001-08600	CIRCLIP	2	
13	90250-06013	PIN, straight	2	
14	257-18512-01	FORK, shift 2	1	
15	257-18531-00	BAR, shift fork guide 1	1	
16	99001-08600	CIRCLIP	1	
17	132-18140-01	STOPPER LEVER ASSY	1	
18	90109-06001	BOLT	1	
19	90506-09112	SPRING, tension	1	

5A1310-2130

B14

FIG: 13 SHIFT SHAFT

REF. NO.	PART NO.	DESCRIPTION	Q'TY	REMARKS
1	257-18101-01	SHIFT SHAFT ASSY	1	
2	90506-09009	.SPRING, tension	1	
3	90508-32207	SPRING, torsion	1	
4	90149-08094	SCREW	1	
5	95303-08600	NUT	1	
6	257-18111-00-91	PEDAL, shift	1	UNI CHROME
7	132-18113-01	COVER, shift pedal	1	
8	97011-06020	BOLT	1	
9	93102-12106	OIL SEAL	1	
10	90201-12575	WASHER, plate	1	
11	99001-10600	CIRCLIP	1	

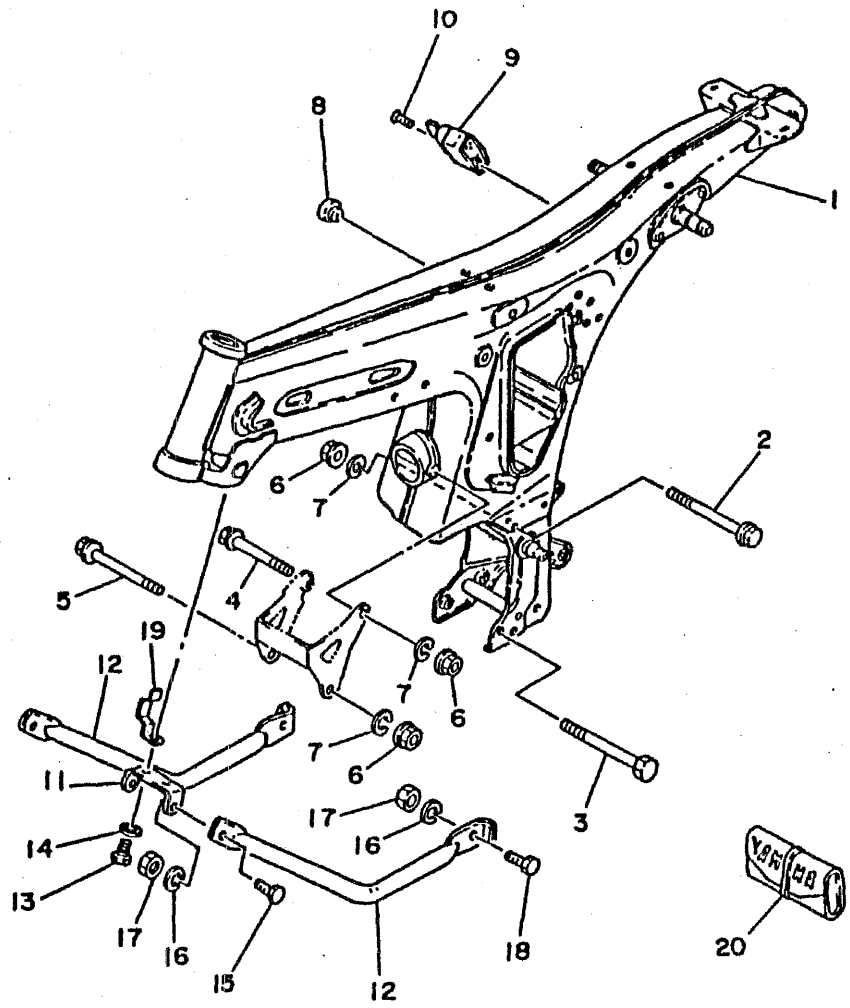


5A1310-2140

B15

FIG. 14 FRAME

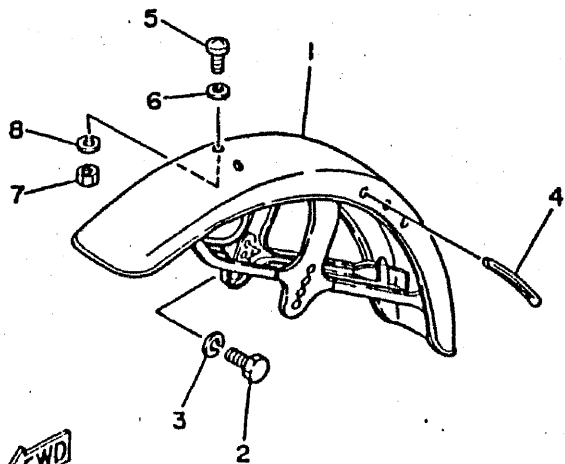
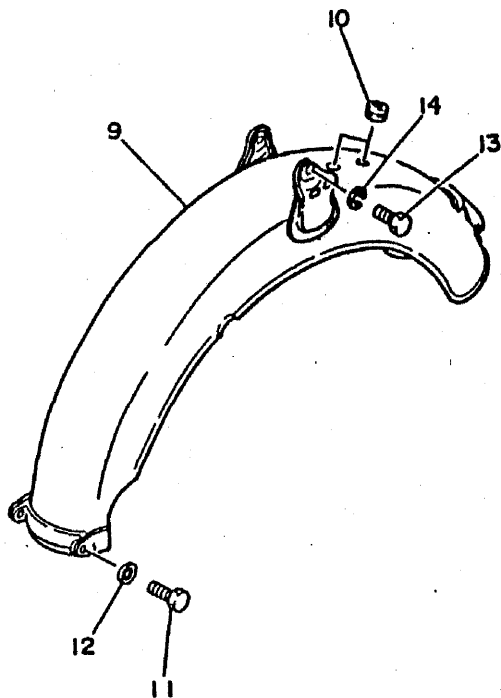
REF. NO.	PART NO.	DESCRIPTION	Q'TY	REMARKS
1	355-21110-03-33	FRAME COMP.	1	YAMAHA BLACK
2	95811-08120	BOLT, flange	1	
3	90101-08285	BOLT	1	
4	95811-08090	BOLT, flange	1	
5	95821-08100	BOLT, flange	1	
6	95701-08500	NUT, flange	3	
7	92990-08100	WASHER, spring	3	
8	90480-13203	GROMMET	1	
9	1J5-21308-00	HELMET HANGER ASSY	1	
10	92701-06030	SCREW, flat head	1	
11	596-21158-00	BRACKET	1	
12	596-21191-00	DOWNTUBE	2	
13	97313-06012	BOLT	2	
14	92990-06100	WASHER, spring	2	
15	97313-08016	BOLT	2	
16	92990-08100	WASHER, spring	4	
17	95303-08600	NUT	4	
18	97313-08030	BOLT	2	
19	3F2-21288-00	GUIDE, cable	1	
20	3F0-28100-00	TOOL KIT	1	



2RU341-7140

FIG. 15 FENDER

REF. NO.	PART NO.	DESCRIPTION	Q'TY	REMARKS
1	1U1-21510-10-93	FRONT FENDER COMP.	1	CHROME-PLATED
2	97301-08012	BOLT	4	
3	92990-08100	WASHER, spring	4	
4	122-21517-00	PAD, cable	1	
5	98501-05012	SCREW, pan head	2	
6	92901-05600	WASHER, plate	2	
7	95301-05600	NUT	2	
8	92901-05100	WASHER, spring	2	
9	1X4-21610-00	REAR FENDER COMP.	1	
10	90480-12013	GROMMET	2	
11	97313-06016	BOLT	2	
12	92901-06600	WASHER, plate	2	
13	97313-08016	BOLT	2	
14	92990-08100	WASHER, spring	2	



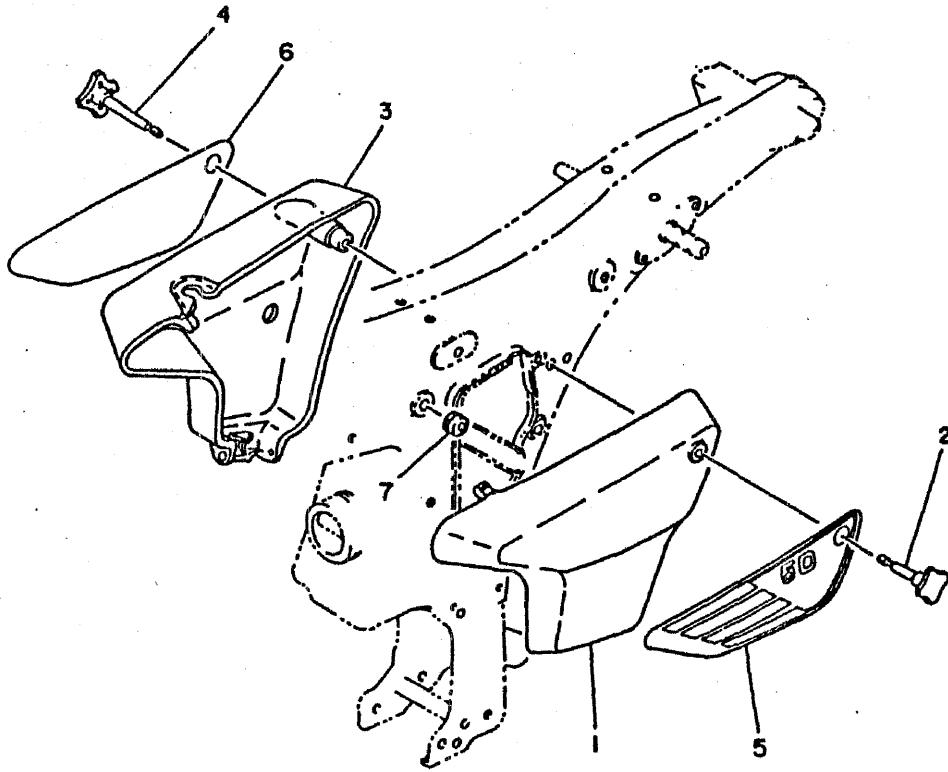
FWD

2RU341-7150

C3

FIG. 16 SIDE COVER

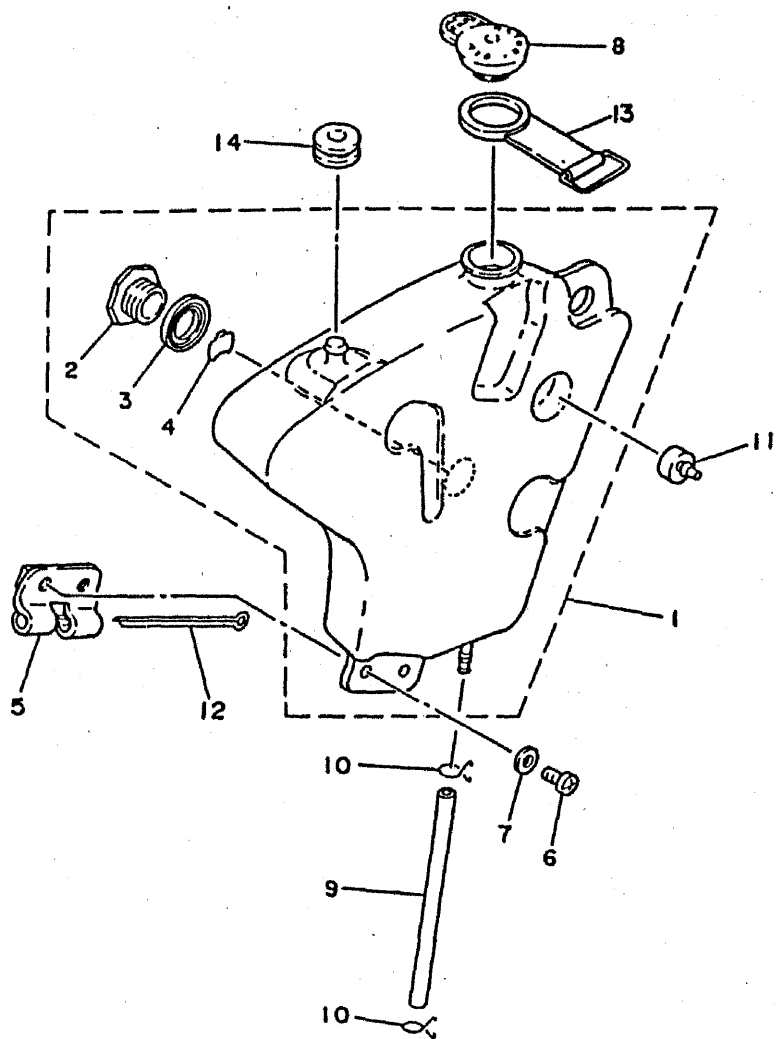
REF. NO.	PART NO.	DESCRIPTION	Q'TY	REMARKS
1	3E8-21711-00	COVER, side 1	1	
2	1Y1-21714-00	KNOB, side cover 1	1	
3	3F2-21721-00	COVER, side 2	1	
4	1Y1-21724-00	KNOB, side cover 2	1	
5	3F0-21781-10	EMBLEM 1	1	UR FOR MXR
	3F1-21781-00	EMBLEM 1	1	UR FOR FBL
6	3F0-21782-10	EMBLEM 2	1	UR FOR MXR
	3F1-21782-00	EMBLEM 2	1	UR FOR FBL
7	90480-01141	GROMMET	2	



2RV310-7160

C4

FIG. 17 OIL TANK



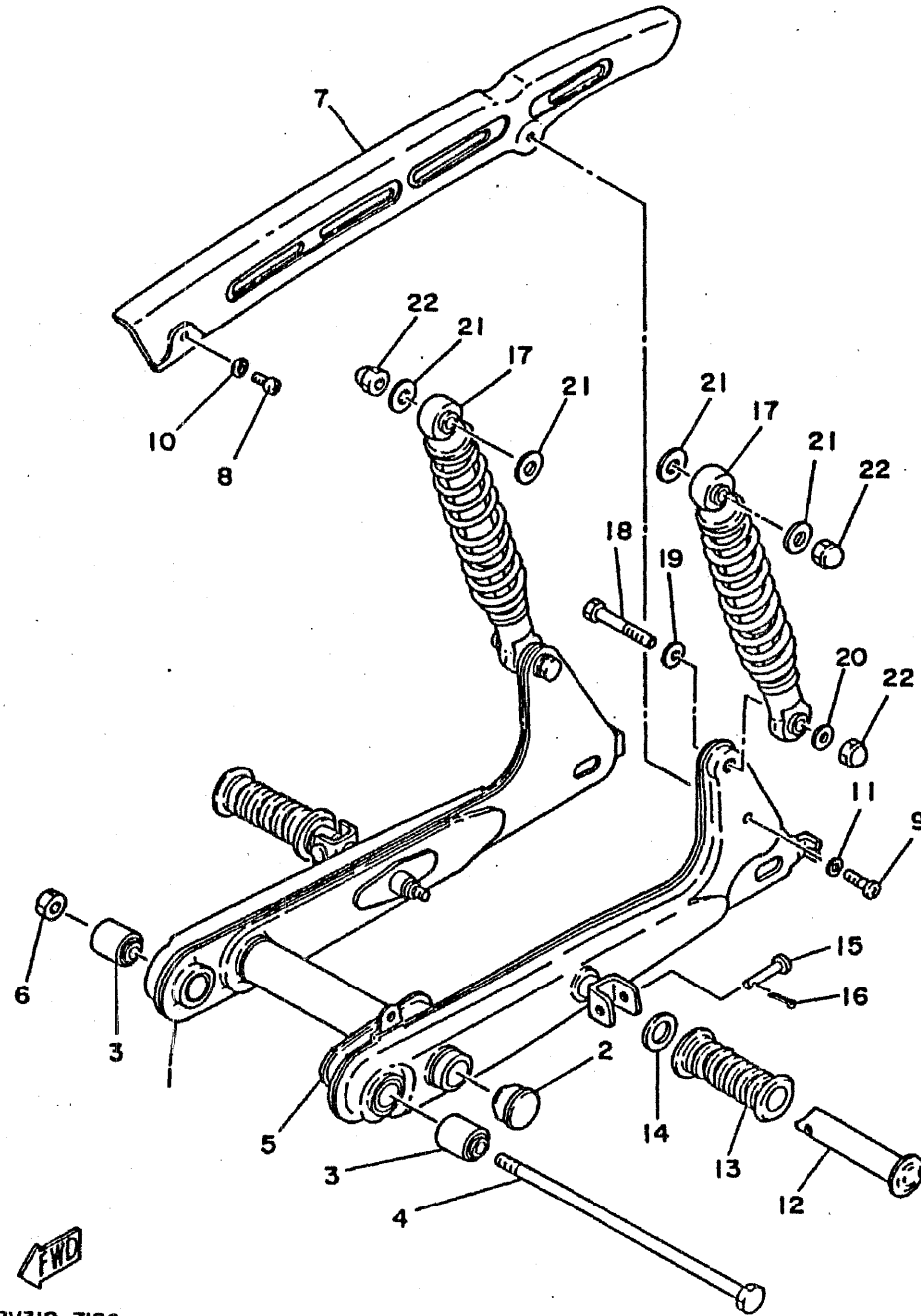
REF. NO.	PART NO.	DESCRIPTION	Q'TY	REMARKS
1	3F2-21750-00	OIL TANK ASSY	1	
2	1Y1-21764-00	.LENS, level gauge	1	
3	1Y1-21763-00	.GASKET, level gauge	1	
4	1Y1-2176A-00	.REFLECTOR, level gauge	1	
5	3F2-21796-00	HINGE	1	
6	92501-06012	SCREW, pan head	2	
7	92901-06600	WASHER, plate	2	
8	2N3-21771-01	BODY, cap	1	
9	126-24319-01	PIPE, oil	1	
10	90467-08003	CLIP	2	
11	164-21778-00	DAMPER, locating 1	2	
12	91401-50085	PIN, cotter	1	
13	1Y1-21776-00	BAND, tank fitting	1	
14	90480-16233	GROMMET	1	



2RV310-7170

C5

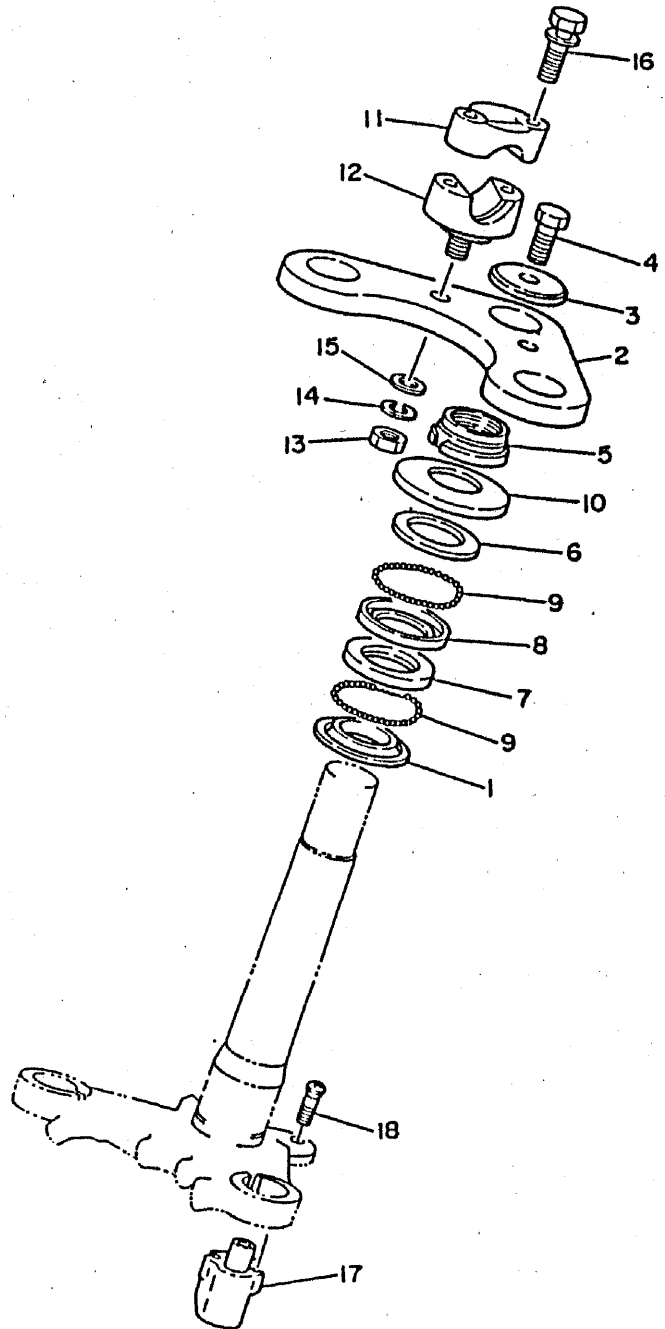
FIG. 18 REAR ARM. SUSPENSION



REF. NO.	PART NO.	DESCRIPTION	Q'TY	REMARKS
1	1X9-22110-00-33	REAR ARM COMP.	1	YAMAHA BLACK
2	180-22117-00	CAP	2	
3	102-22123-00	BUSH 1	2	
4	40X-22141-00	SHAFT, pivot	1	
5	122-22151-00	SEAL, guard	1	
6	90185-10060	NUT, self-locking	1	
7	260-22311-00-35	CASE, chain	1	SILVER
8	98501-05008	SCREW, pan head	1	
9	98501-05020	SCREW, pan head	1	
10	92901-05600	WASHER, plate	1	
11	92901-05600	WASHER, plate	1	
12	120-27431-00	FOOTREST, rear 1	2	
13	120-27433-00	COVER, rear footrest	2	
14	90201-20279	WASHER, plate	2	
15	90240-06009	PIN, clevis	2	
16	91401-16015	PIN, cotter	2	
17	3W3-22210-00	SHOCK ABSORBER ASSY, rear	2	
18	90101-10255	BOLT	2	
19	90201-10437	WASHER, plate	2	
20	92901-10200	WASHER, plain	2	
21	90201-10437	WASHER, plate	4	
22	90176-10013	NUT, crown	4	

2RV310-7180

FIG. 19 STEERING



REF. NO.	PART NO.	DESCRIPTION	Q'TY	REMARKS
1	156-23411-00	RACE, ball 1	1	
2	185-23435-00-98	CROWN, handle	1	LOW GLOSS BLACK
3	90209-10021	WASHER	1	
4	90105-10006	BOLT, washer based	1	
5	90179-25051	NUT	1	
6	183-23411-00	RACE, ball 1	1	
7	156-23412-00	RACE, ball 2	1	
8	183-23412-00	RACE, ball 2	1	
9	93501-04011	BALL	38	
10	136-23415-00	COVER, ball race 1	1	
11	462-23441-00-98	HOLDER, handle upper	2	LOW GLOSS BLACK
12	462-23442-00-98	HOLDER, handle lower	2	LOW GLOSS BLACK
13	95303-10600	NUT	2	
14	92901-10100	WASHER, spring	2	
15	92990-10600	WASHER, plate	2	
16	90119-06017	BOLT, with washer	4	
17	2N3-23408-00	STEERING LOCK ASSY	1	
18	90152-05009	SCREW, countersunk	2	

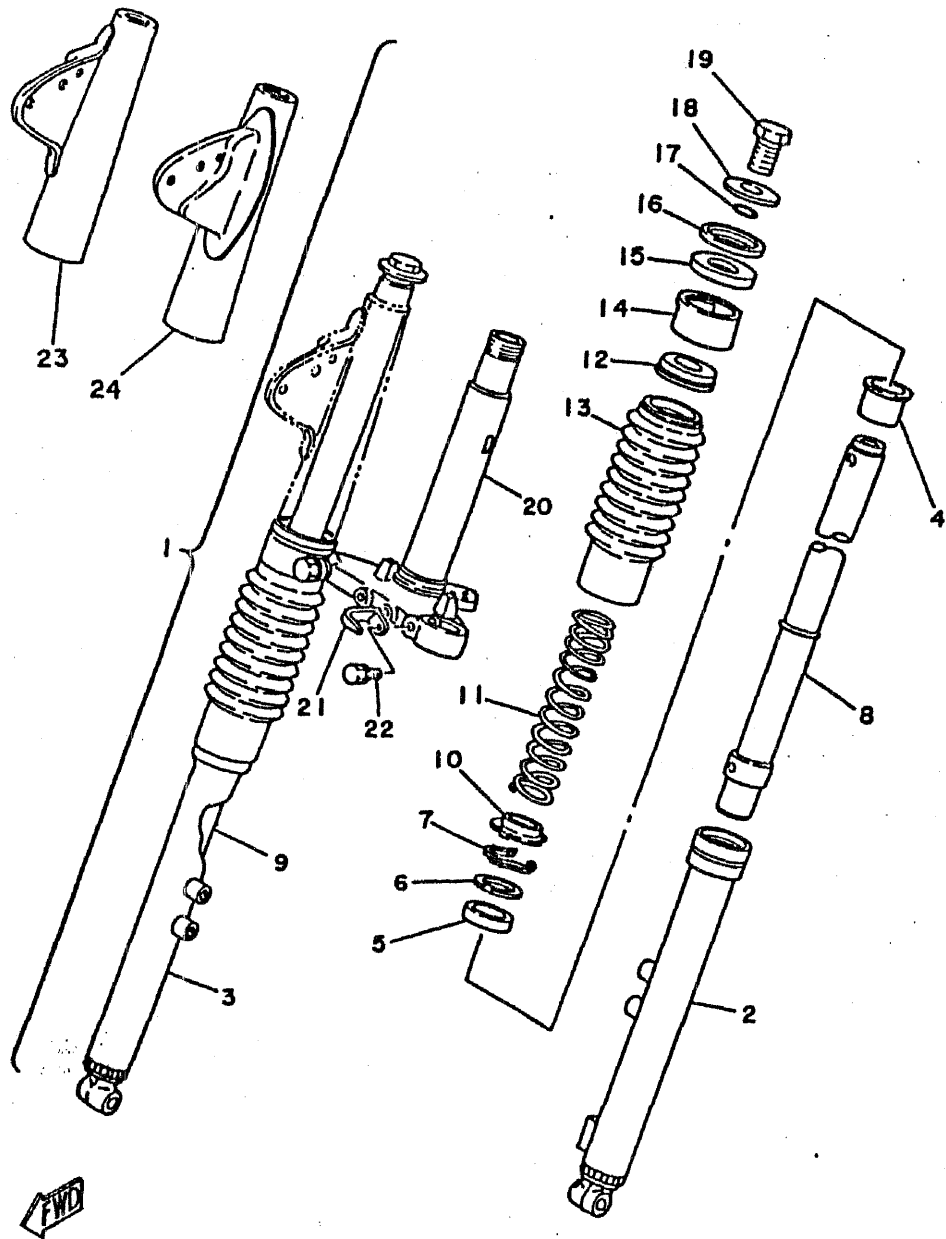
FWD

2RV310-7190

C7

FIG. 20 FRONT FORK

REF. NO.	PART NO.	DESCRIPTION	Q'TY	REMARKS
1	3F0-23101-30	FRONT FORK ASSY	1	
2	3W3-23126-00-35	.TUBE, outer 1	1	SILVER
3	3W3-23136-00-35	.TUBE, outer 2	1	SILVER
4	367-23125-60	.METAL, slide 1	2	
5	1T8-23145-00	.OIL SEAL	2	
6	367-23146-60	.WASHER, oil seal	2	
7	1T8-23156-00	.CLIP, oil seal	2	
8	3E9-23124-00	.TUBE, inner 1	1	
9	3E9-23134-00	.TUBE, inner 2	1	
10	3W3-23117-00	.GUIDE, spring	2	
11	207-23141-10	.SPRING, front fork	2	
12	209-23142-40	.SEAT, spring upper	2	
13	3W3-23191-00	.BOOT	2	
14	1Y1-23122-00	.COVER, outer 1	2	
15	207-23163-00	.GASKET	2	
16	201-23116-00	.GUIDE, cover lower	2	
17	307-23114-00	.GASKET	2	
18	207-23112-00	.WASHER, cap	2	
19	395-23111-00	.BOLT, cap	2	
20	1Y2-23340-30-33	.UNDER BRACKET COMP.	1	YAMAHA BLACK
21	260-23318-40	.HOLDER, cable 1	1	
22	1M3-23346-00	.BOLT 1	2	
23	260-23131-40-33	COVER, upper 2	1	YAMAHA BLACK
24	260-23121-40-33	COVER, upper 1	1	YAMAHA BLACK

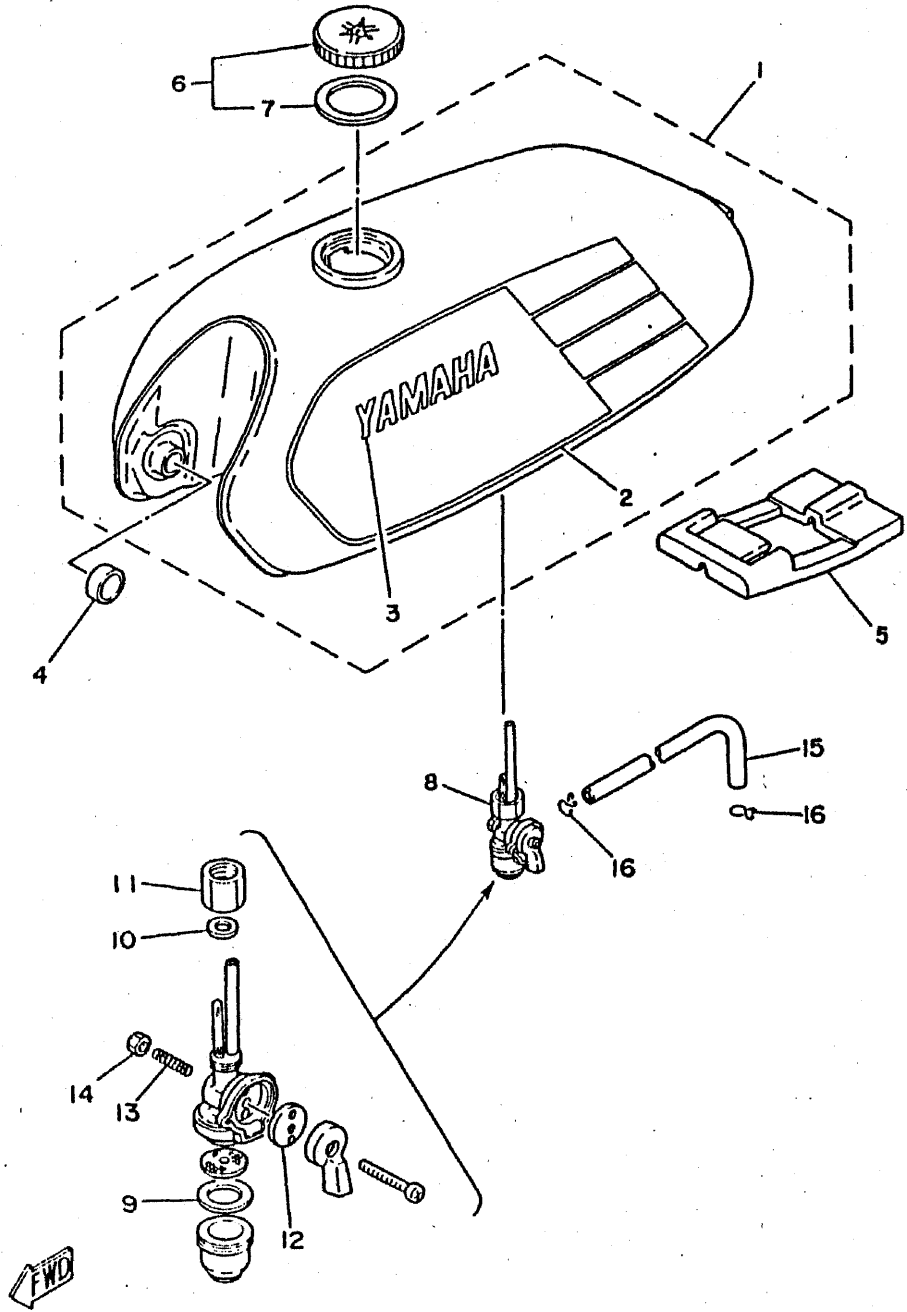


3F0322-2190

C8

FIG. 21 FUEL TANK

REF. NO.	PART NO.	DESCRIPTION	Q'TY	REMARKS
1	3E8-24110-01-X7	FUEL TANK COMP.	1	UR MAXIM RED
	3E8-24110-01-X9	FUEL TANK COMP.	1	UR FRENCH BLUE
2	3F0-24240-10	.GRAPHIC SET	1	UR FOR MXR
	3F1-24240-00	.GRAPHIC SET	1	UR FOR FBL
3	388-24161-00	.EMBLEM 1	2	
4	122-24181-00	DAMPER, locating 1	2	
5	3E8-24185-00	DAMPER, locating 5	1	
6	122-24610-01	CAP ASSY	1	
7	122-24612-01	.GASKET, cap	1	
8	367-24500-04	FUEL COCK ASSY 1	1	
9	102-24522-01	.GASKET	1	
10	122-24532-00	.GASKET	1	
11	603-24531-01	.NUT	1	
12	355-24523-00	.VALVE	1	
13	355-24518-01	.SPRING, lever	1	
14	95301-05600	.NUT	1	
15	90445-09112	HOSE	1	
16	90467-08003	CLIP	2	

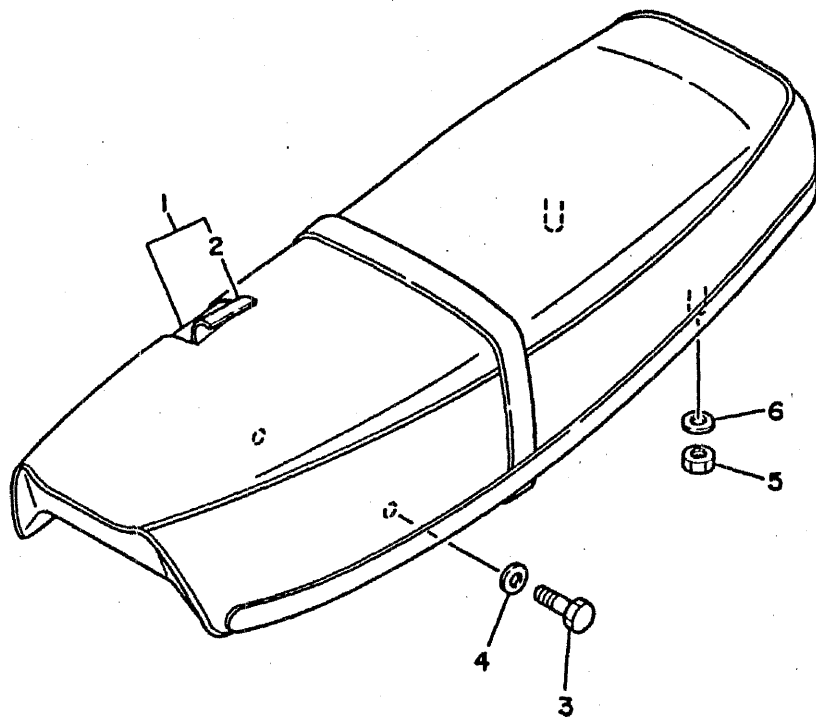


2RV310-7210

C9

FIG. 22 SEAT

REF. NO.	PART NO.	DESCRIPTION	Q'TY	REMARKS
1	2RU-24730-00	DOUBLE SEAT ASSY	1	
2	2RU-24731-00	.COVER, seat	1	
3	97313-08016	BOLT	2	
4	92901-08600	WASHER, plate	2	
5	95303-08600	NUT	2	
6	92901-08600	WASHER, plate	2	



2RU341-7220

C10

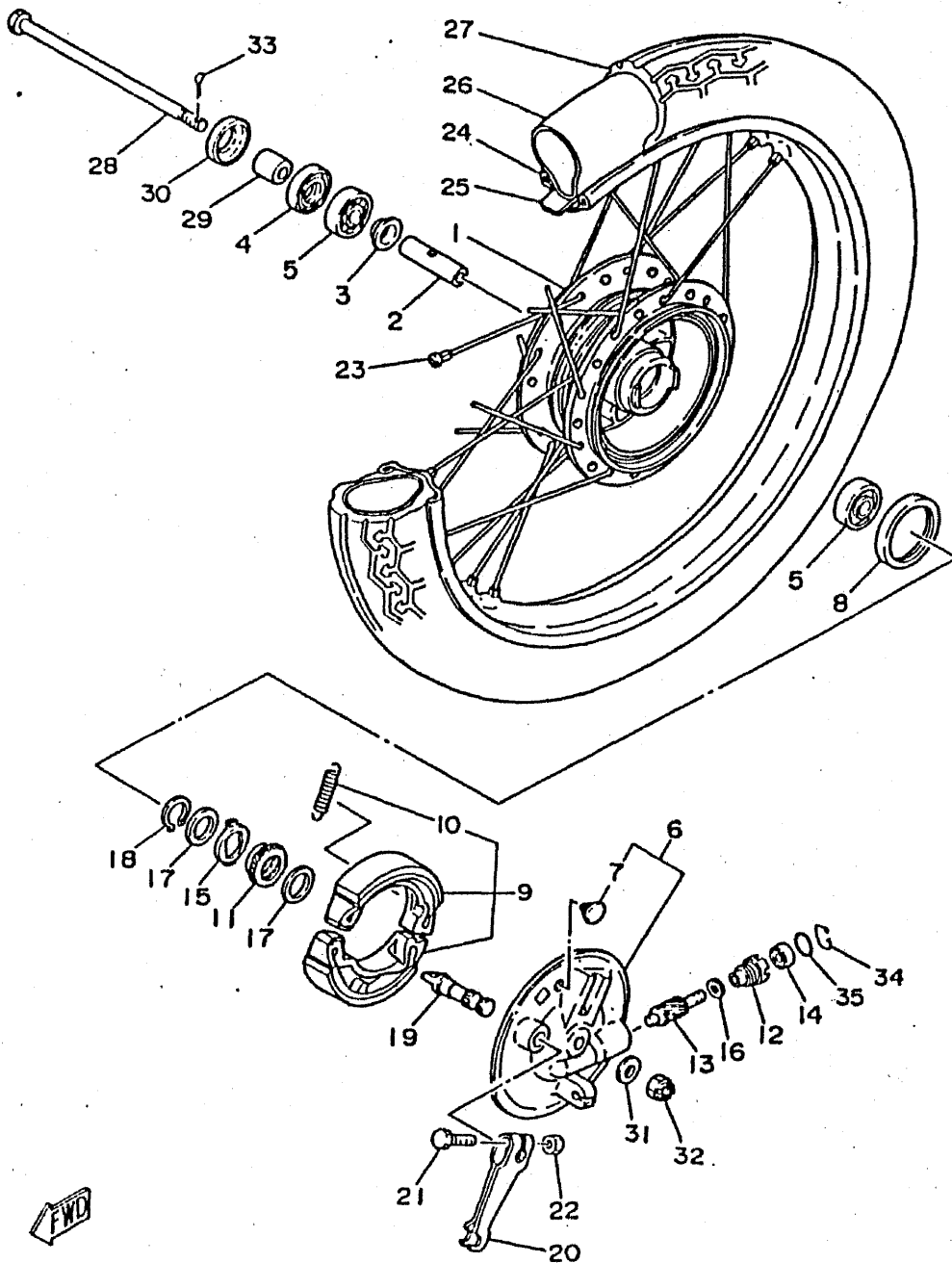


FIG. 23 FRONT WHEEL

REF. NO.	PART NO.	DESCRIPTION	Q'TY	REMARKS
1	517-25111-00-Y8	HUB, front	1	SILVER DUST
2	90560-10292	SPACER	1	
3	195-25115-00	FLANGE, spacer 1	1	
4	93106-20001	OIL SEAL	1	
5	93306-30003	BEARING (B6300Z)	2	
6	1K8-25016-00-Y8	BRAKE SHOE PLATE ASSY	1	SILVER DUST
7	90480-10068	.GROMMET	1	
8	93105-47007	OIL SEAL	1	
9	18A-W2534-00	BRAKE SHOE KIT 2	1	
10	90506-18288	.SPRING, tension	2	
11	296-25135-00	GEAR, drive	1	
12	109-25136-00	BUSH	1	
13	296-25138-00	GEAR, meter	1	
14	93104-07003	OIL SEAL	1	
15	183-25149-00	CLUTCH, meter	1	
16	90201-07076	WASHER, plate	1	
17	90201-20269	WASHER, plate	2	
18	99009-20400	CIRCLIP	1	
19	3Y6-25351-00	CAMSHAFT	1	
20	538-25155-00	LEVER, camshaft 1	1	
21	90101-06278	BOLT	1	
22	95303-06600	NUT	1	
23	109-25104-10	SPOKE SET, front	1	
24	94412-17002	RIM (1.20-17)	1	
25	94332-17112	BAND, rim (3.25-17)	1	INOUE
26	94225-17082	TUBE (2.50-17)	1	YOKOHAMA
27	94125-17259	TIRE (2.50-17)	1	YOKOHAMA
28	353-25181-03	AXLE, wheel	1	



2RV310-7230

C11

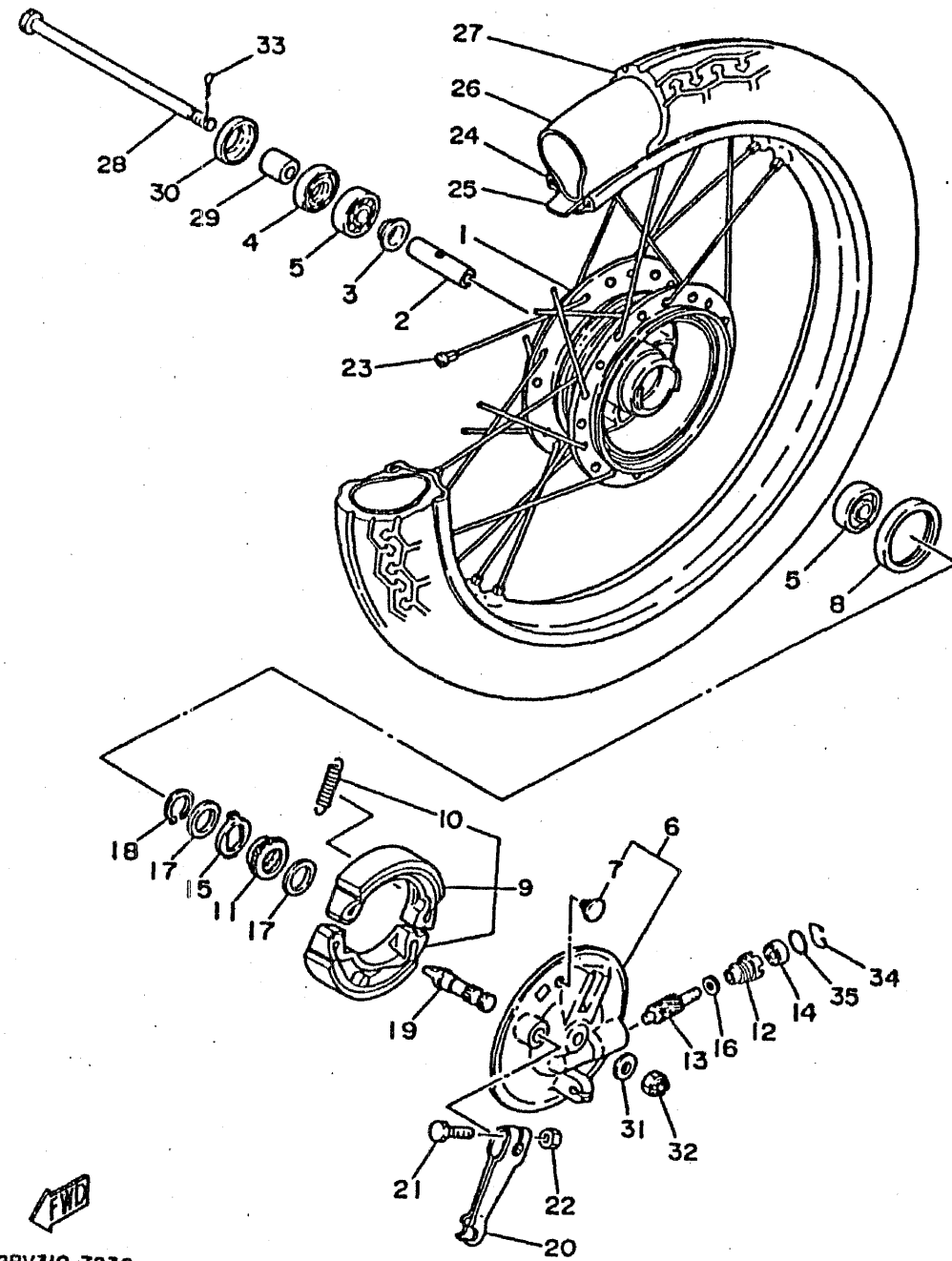


FIG. 23 FRONT WHEEL

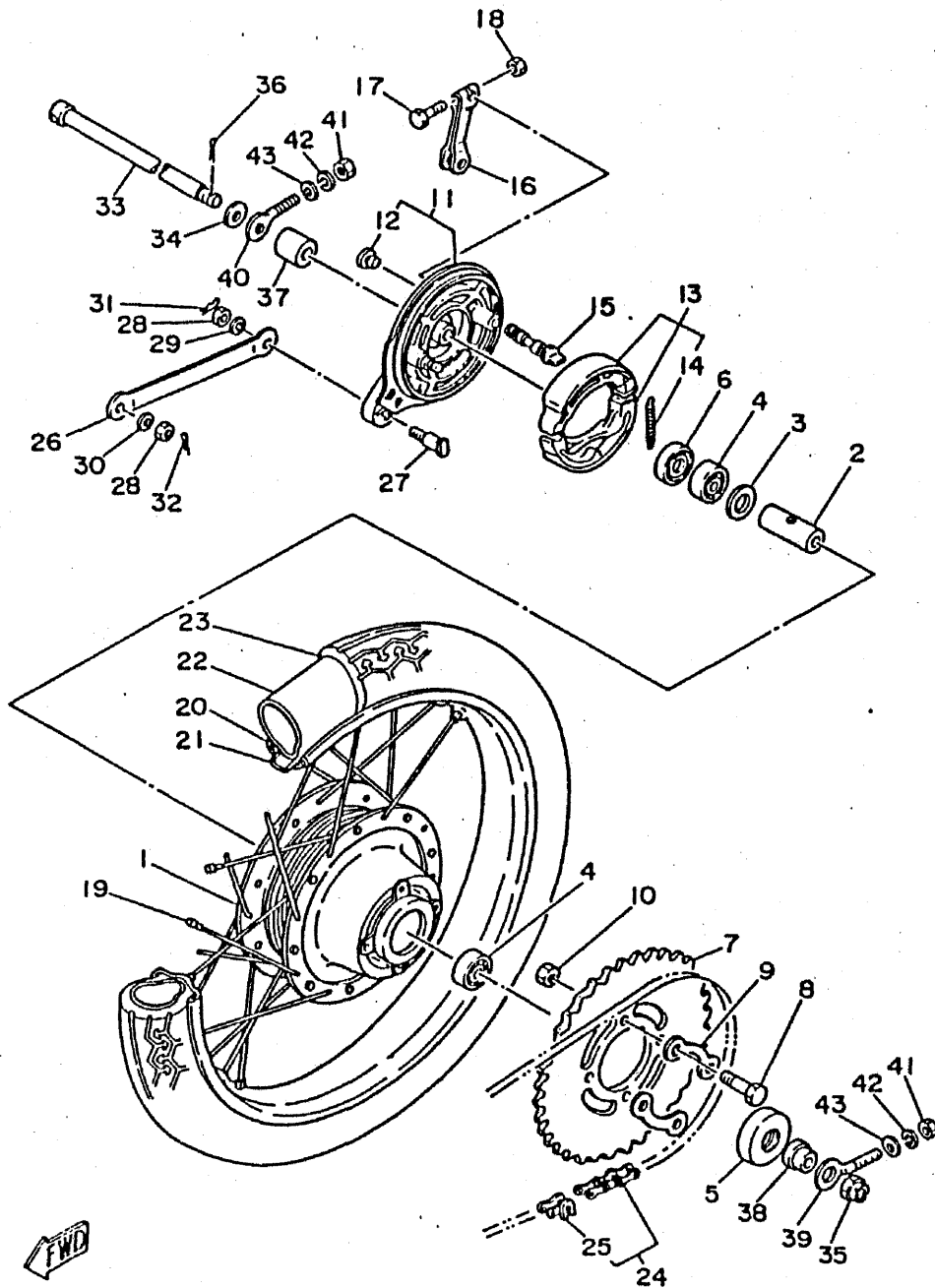
REF. NO.	PART NO.	DESCRIPTION	Q'TY	REMARKS
29	90387-10277	COLLAR	1	
30	322-25118-00	COVER, hub dust	1	
31	92990-10600	WASHER, plate	1	
32	90171-10004	NUT, castle	1	
33	91401-20020	PIN, cotter	1	
34	102-25137-00	RING, stop	1	
35	93210-14104	O-RING	1	



2RV310-7230

C12

FIG. 24 REAR WHEEL



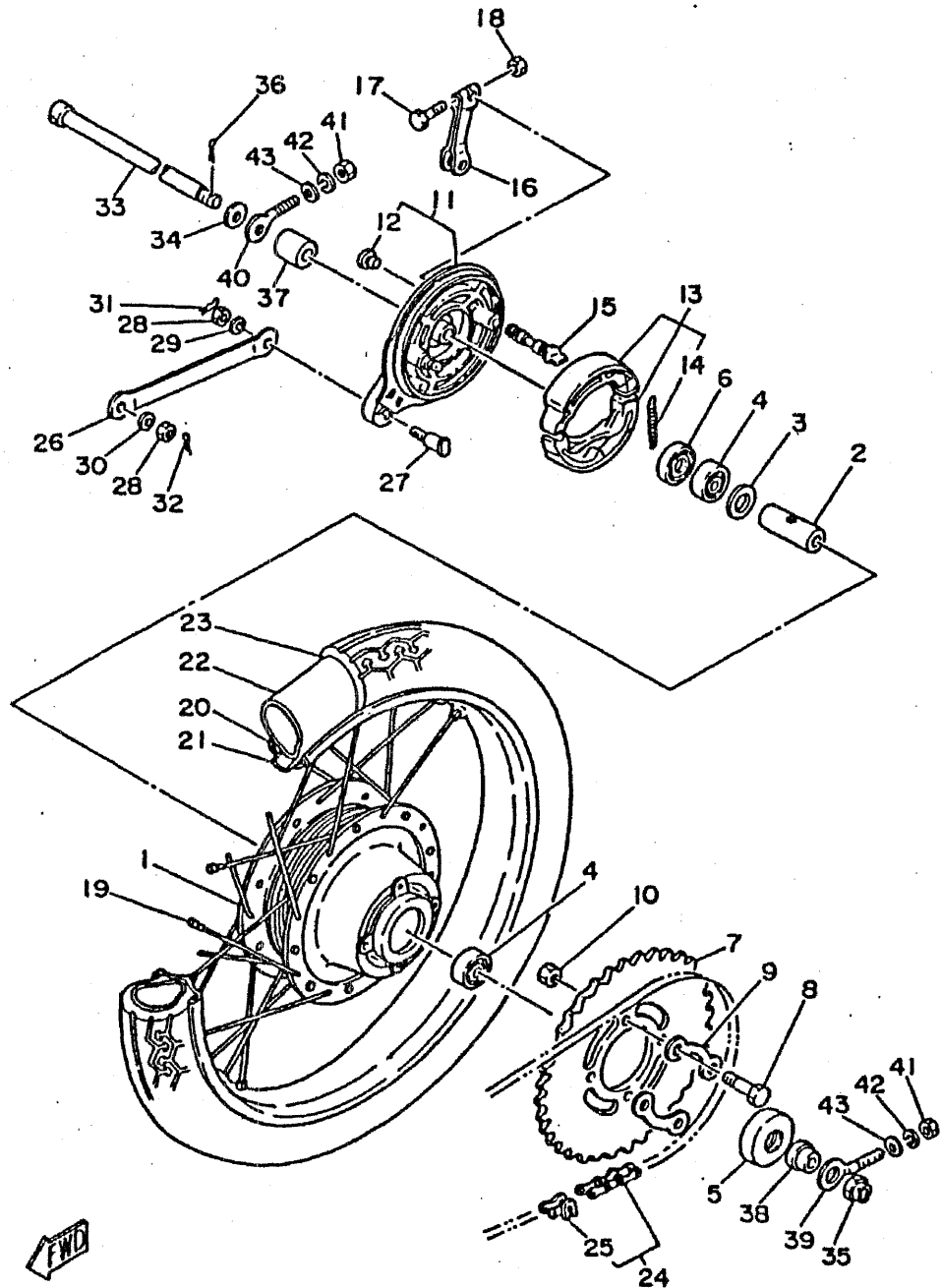
REF. NO.	PART NO.	DESCRIPTION	Q'TY	REMARKS
1	462-25311-01-35	HUB, rear	1	SILVER
2	90560-12170	SPACER	1	
3	102-25315-00	FLANGE, spacer	1	
4	93306-30101	BEARING (B6301)	2	
5	93106-20002	OIL SEAL	1	
6	93104-21016	OIL SEAL	1	
7	288-25445-10-33	SPROCKET, driven (45T)	1	YAMAHA BLACK
8	90109-08319	BOLT	4	
9	2A3-25412-00	WASHER	2	
10	90170-08158	NUT	4	
11	355-25026-00-Y8	BRAKE SHOE PLATE ASSY	1	SILVER DUST
12	90480-10068	.GROMMET	1	
13	18A-W2534-00	BRAKE SHOE KIT 2	1	
14	90506-18288	.SPRING, tension	2	
15	3Y6-25351-00	CAMSHAFT	1	
16	538-25355-00	LEVER, camshaft	1	
17	90101-06278	BOLT	1	
18	95303-06600	NUT	1	
19	296-25304-10	SPOKE SET, rear	1	
20	94414-17003	RIM (1.40-17)	1	
21	94332-17112	BAND, rim (3.25-17)	1	INOUE
22	94225-17082	TUBE (2.50-17)	1	YOKOHAMA
23	94125-17259	TIRE (2.50-17)	1	YOKOHAMA
24	94580-52100	CHAIN (D.I.D. 420M 100L)	1	DAIDO
25	94680-52001	.JOINT, chain (D.I.D.-420M)	1	DAIDO
26	102-25371-00	BAR, tension	1	
27	90109-08183	BOLT	1	
28	95303-08700	NUT	2	

FWD
2RV310-7240

C13

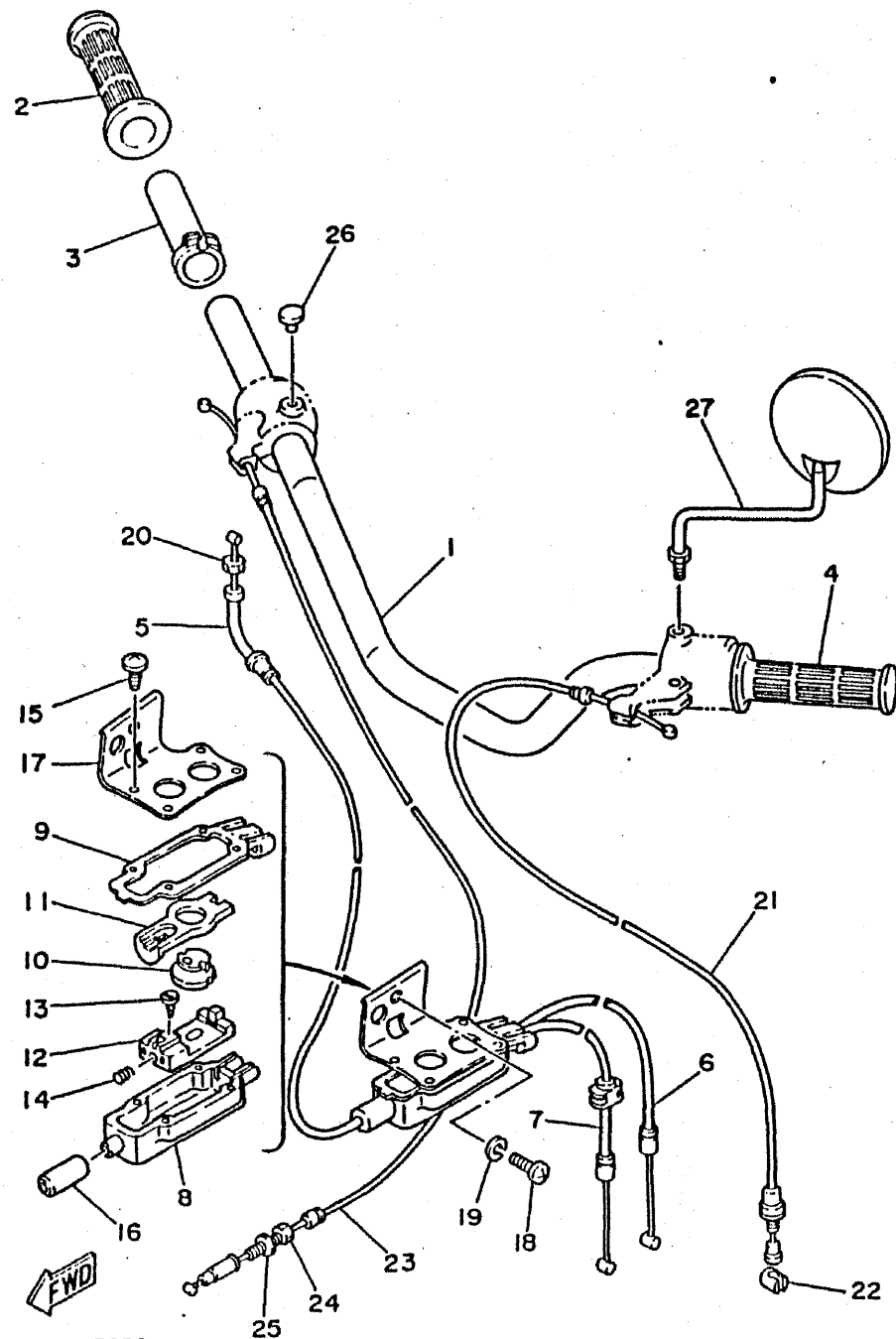
FIG. 24 REAR WHEEL

REF. NO.	PART NO.	DESCRIPTION	Q'TY	REMARKS
29	92990-08100	WASHER, spring	1	
30	92901-08200	WASHER, plain	1	
31	90468-10050	CLIP	1	
32	91401-20015	PIN, cotter	1	
33	353-25381-00	AXLE, wheel	1	
34	90201-122A7	WASHER, plate	1	
35	90171-10004	NUT, castle	1	
36	91401-20020	PIN, cotter	1	
37	90387-12412	COLLAR	1	
38	90387-127E0	COLLAR	1	
39	1U0-25388-00	PULLER, chain 1	1	
40	102-25389-00	PULLER, chain 2	1	
41	95303-06600	NUT	2	
42	92990-06100	WASHER, spring	2	
43	90201-061A5	WASHER, plate	2	



2RV310-7240

C14



2RU341-7250

FIG. 25 STEERING HANDLE. CABLE

REF. NO.	PART NO.	DESCRIPTION	Q'TY	REMARKS
1	1Y0-26111-00	HANDLEBAR	1	
2	353-26242-00	GRIP (R.H)	1	
3	1V1-26243-00	TUBE, throttle guide	1	
4	353-26241-00	GRIP (L.H)	1	
5	2RT-26311-00	CABLE, throttle 1	1	
6	3F2-26312-00	CABLE, throttle 2	1	
7	3F2-26321-00	CABLE, pump	1	
8	2T5-26261-01	CONNECTOR, cable	1	
9	2T5-26262-00	CAP, cable connector	1	
10	2T5-26273-00	ROTOR	1	
11	2T5-26274-00	GUIDE, rotor	1	
12	2T5-26244-00	SLIDER, throttle	1	
13	2T5-26267-00	PIN	1	
14	90501-05512	SPRING, compression	1	
15	90167-03004	SCREW, tapping	2	
16	156-26329-00	CAP, rubber	1	
17	58E-21364-00	HOLDER, cable cylinder	1	
18	92501-06012	SCREW, pan head	1	
19	92990-06100	WASHER, spring	1	
20	90170-10038	NUT	1	
21	355-26335-10	CABLE, clutch	1	
22	164-26363-00	END, cable	1	
23	1Y0-26341-00	CABLE, brake	1	
24	90123-06011	BOLT	1	
25	90179-06143	NUT	1	
26	90338-07011	PLUG	1	
27	1Y0-26290-10	BACK MIRROR ASSY (L.H)	1	

C15

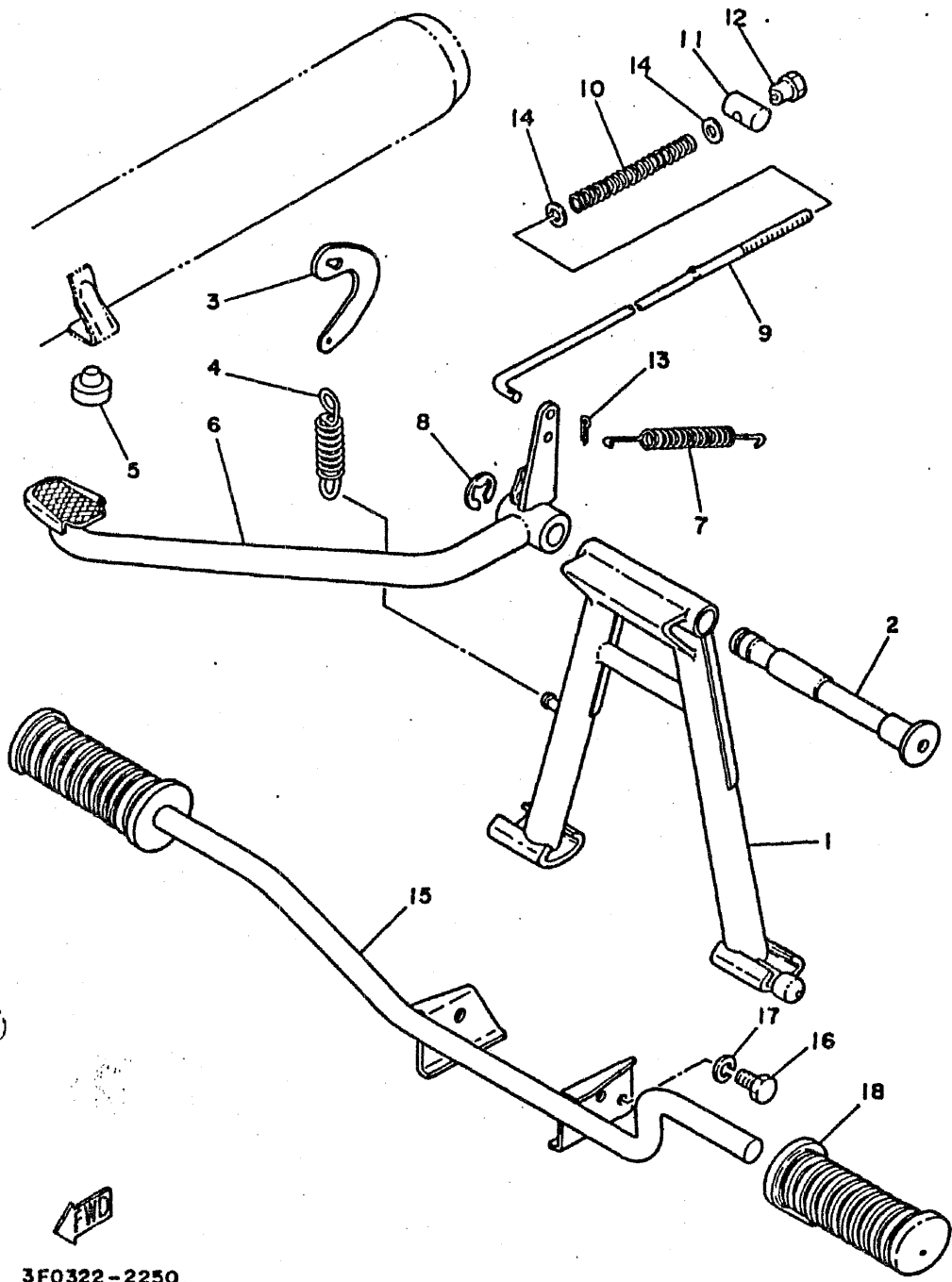


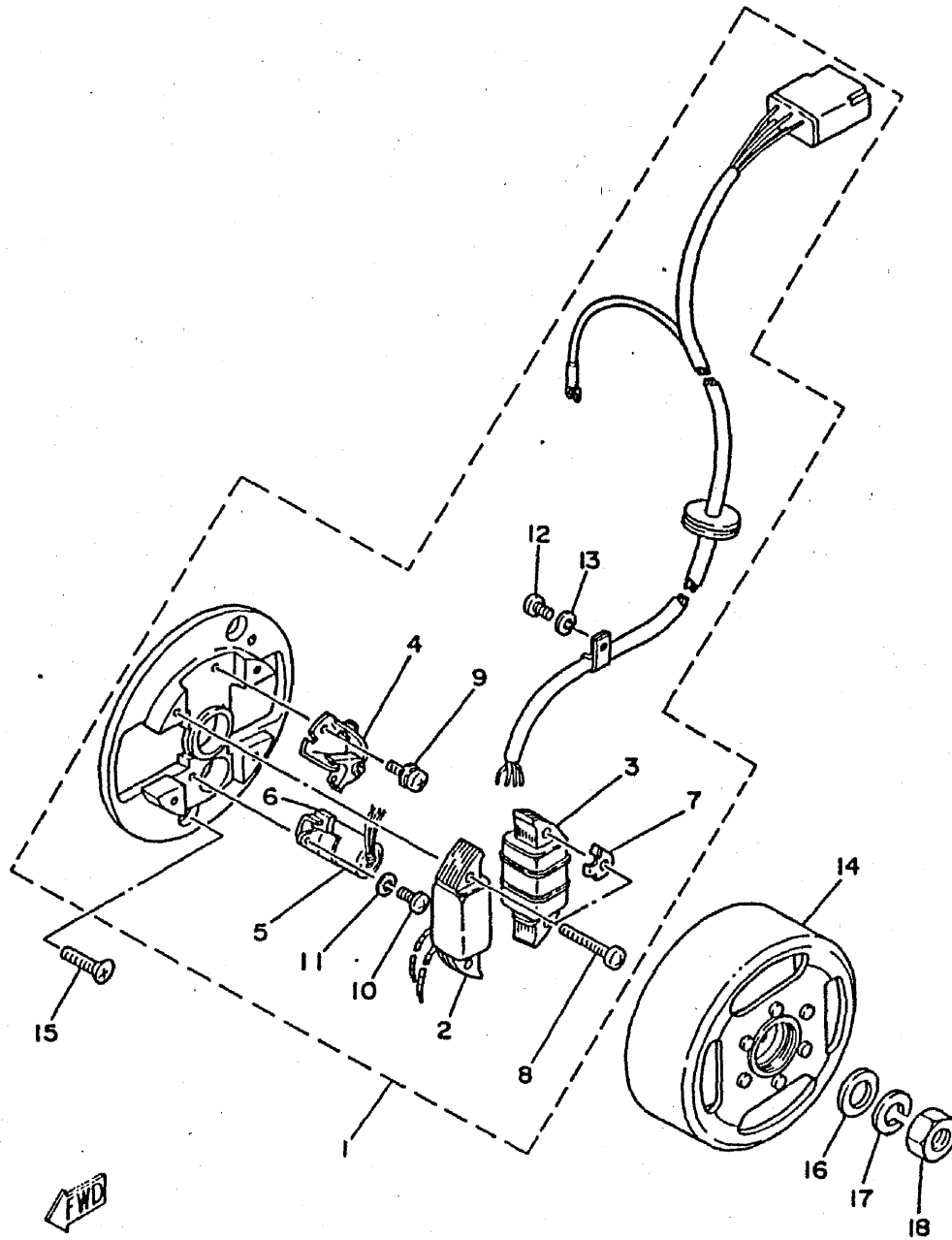
FIG. 26 STAND. FOOTREST

REF. NO.	PART NO.	DESCRIPTION	Q'TY	REMARKS
1	207-27111-00	STAND, main	1	
2	122-27112-00	SHAFT, main stand	1	
3	109-27115-00	LINK, main stand	1	
4	90506-29054	SPRING, tension	1	
5	116-27114-00	STOPPER, main stand	1	
6	394-27211-00-91	PEDAL, brake	1	UNI CHROME
7	90506-20041	SPRING, tension	1	
8	93430-12008	CIRCLIP	1	
9	180-27231-01	ROD, brake	1	
10	90501-10245	SPRING, compression	1	
11	90249-12008	PIN	1	
12	90179-06176	NUT	1	
13	91401-20015	PIN, cotter	1	
14	92901-06600	WASHER, plate	2	
15	260-27411-00	FOOTREST 1	1	
16	90101-08246	BOLT	1	
17	92990-08100	WASHER, spring	1	
18	122-27413-00	COVER, footrest	2	

FWC
3F0322-2250.

D2

FIG. 27 GENERATOR

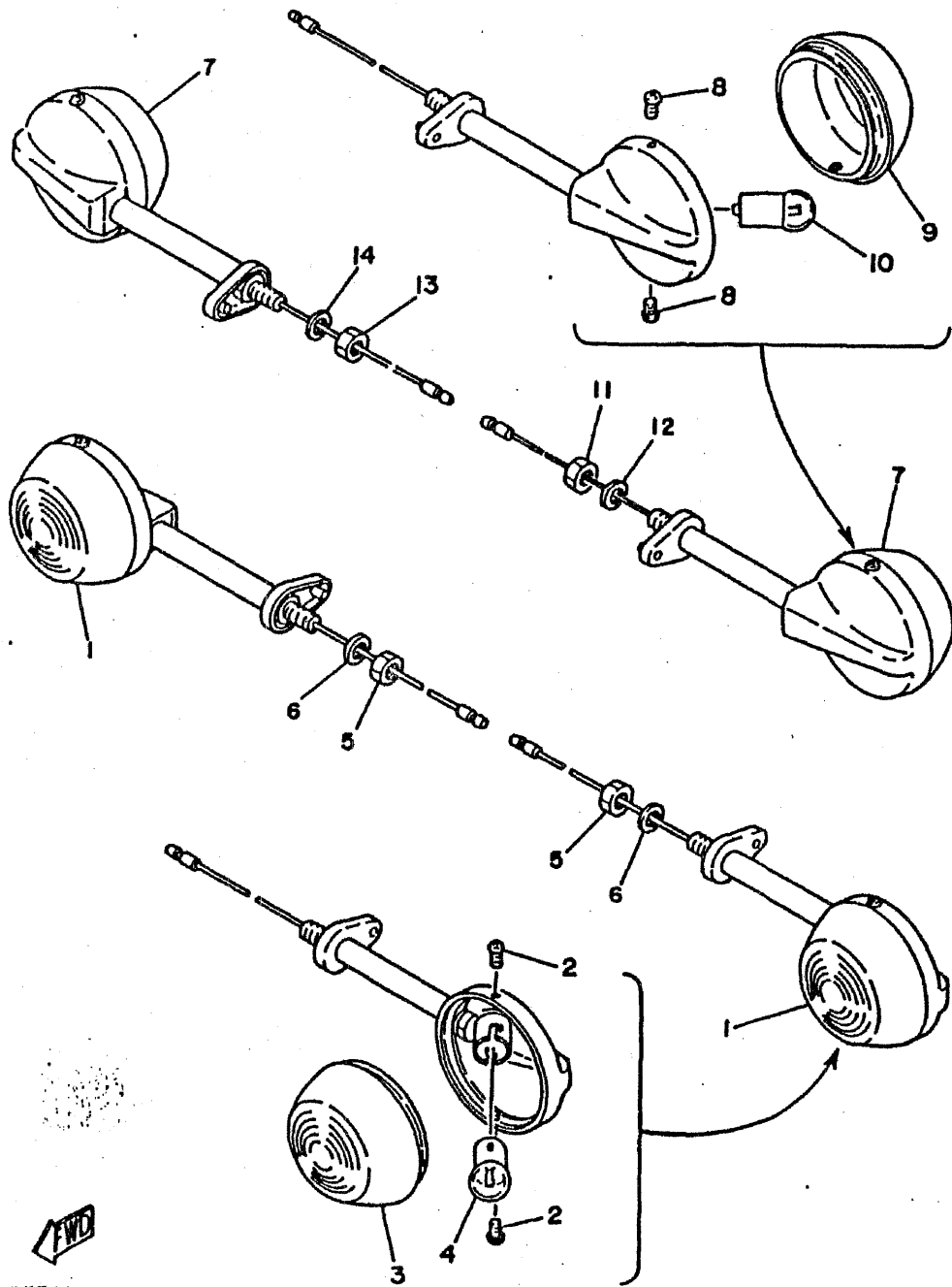


REF. NO.	PART NO.	DESCRIPTION	Q'TY	REMARKS
1	2RV-81310-MO	BASE ASSY	1	
2	3F6-81312-MO	.COIL, source	1	
3	2RV-81313-MO	.COIL, lighting 1	1	
4	1V1-81321-20	.CONTACT BREAKER ASSY	1	
5	481-81325-MO	.CONDENSER 1	1	
6	481-81331-MO	.LUBRICATOR	1	
7	481-81332-MO	.PLATE, timing	1	
8	98511-04025	.SCREW, pan head	4	
9	90159-04027	.SCREW, with washer	1	
10	98580-04010	.SCREW, pan head	1	
11	92901-04100	.WASHER, spring	1	
12	98501-04006	.SCREW, pan head	1	
13	92901-04100	.WASHER, spring	1	
14	355-81350-MO	ROTOR ASSY	1	
15	98701-05016	SCREW, flat head	2	
16	90201-12535	WASHER, plate	1	
17	92901-12100	WASHER, spring	1	
18	90170-12175	NUT	1	

FWD
2RV310-7270

D3

FIG. 28 FLASHER LIGHT



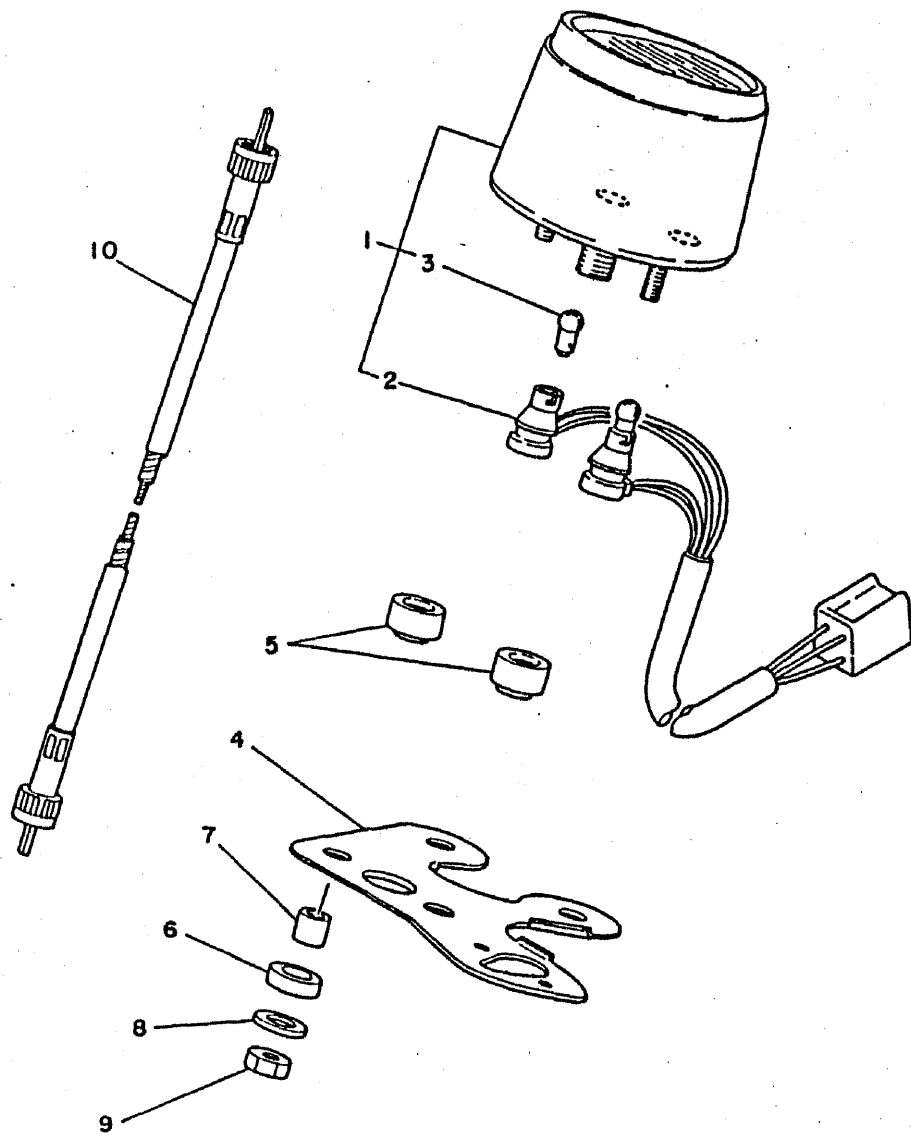
REF. NO.	PART NO.	DESCRIPTION	Q'TY	REMARKS
1	2M6-83310-NO	FRONT FLASHER LIGHT ASSY 1	2	
2	2N3-83333-NO	.SCREW, lens fitting	2	
3	1Y1-83312-01	.LENS, flasher	1	
4	152-83311-10	.BULB (6V-10W)	1	
5	95303-08700	NUT	2	
6	92990-08100	WASHER, spring	2	
7	3F5-83330-NO	REAR FLASHER LIGHT ASSY 1	2	
8	2N3-83333-NO	.SCREW, lens fitting	2	
9	1Y1-83312-01	.LENS, flasher	1	
10	152-83311-10	.BULB (6V-10W)	1	
11	95303-08700	NUT	1	
12	92990-08100	WASHER, spring	1	
13	95303-08700	NUT	1	
14	92990-08100	WASHER, spring	1	

FWD
2RT342-7280

D4

FIG. 29 METER

REF. NO.	PART NO.	DESCRIPTION	Q'TY	REMARKS
1	3F4-83510-F0	SPEEDOMETER ASSY	1	KM/H
2	4A7-83520-00	.SOCKET CORD ASSY	1	
3	122-83516-10	.BULB (6V-3W)	2	
4	1U0-83519-00-98	BRACKET, meter	1	
5	1M3-83513-00	DAMPER	2	
6	355-83526-00	DAMPER 2	2	
7	355-83522-00	COLLAR	2	
8	90201-06412	WASHER, plate	2	
9	95303-06600	NUT	2	
10	241-83550-01	SPEEDOMETER CABLE ASSY	1	

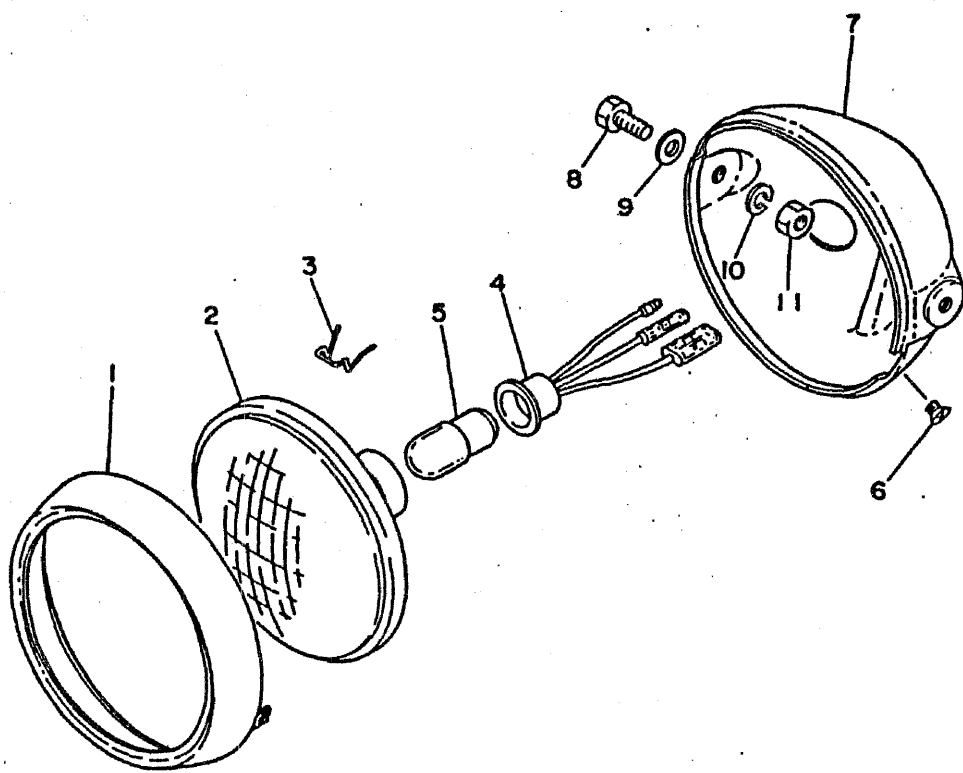


2RT342-7290

D5

FIG. 30 HEADLIGHT

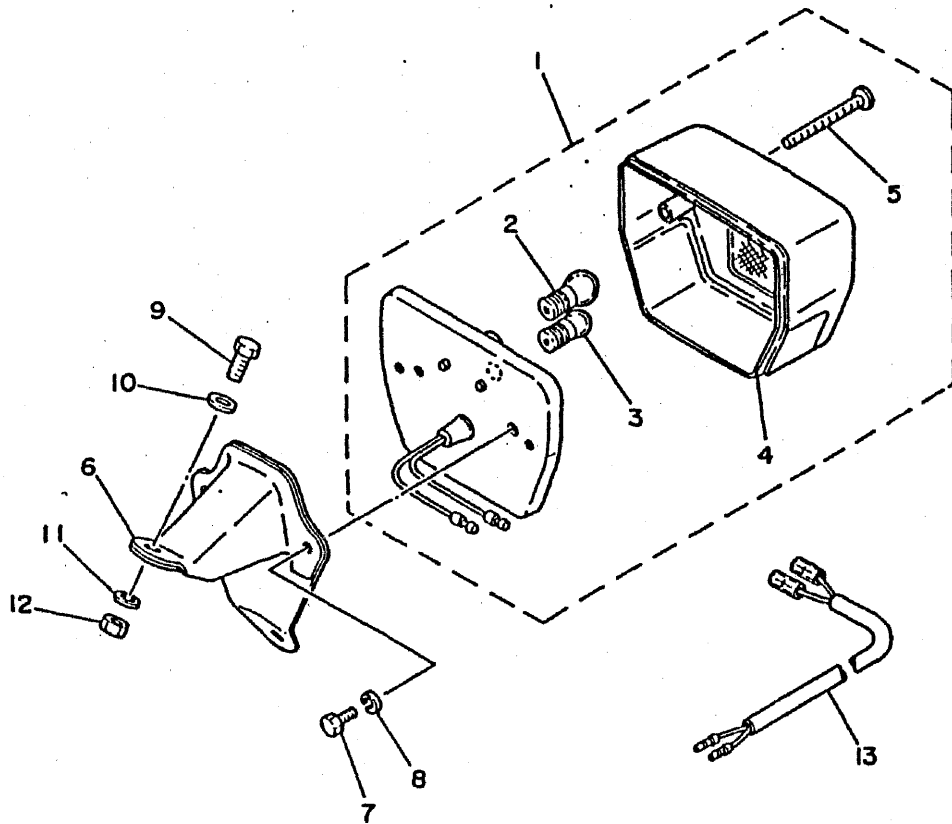
REF. NO.	PART NO.	DESCRIPTION	Q'TY	REMARKS
1	195-84315-01	RIM, headlight	1	
2	195-84320-00	LENS ASSY	1	
3	195-84324-00	SPRING, reflector	3	
4	241-84312-00	SOCKET	1	
5	104-84114-00	BULB (6V-15/15W)	1	
6	90152-05005	SCREW, countersunk	1	
7	241-84311-00-33	BODY, headlight	1	YAMAHA BLACK
8	97313-08020	BOLT	2	
9	92901-08600	WASHER, plate	2	
10	92990-08100	WASHER, spring	2	
11	95303-08700	NUT	2	




2RV310-7300

D6

FIG. 31 TAILLIGHT



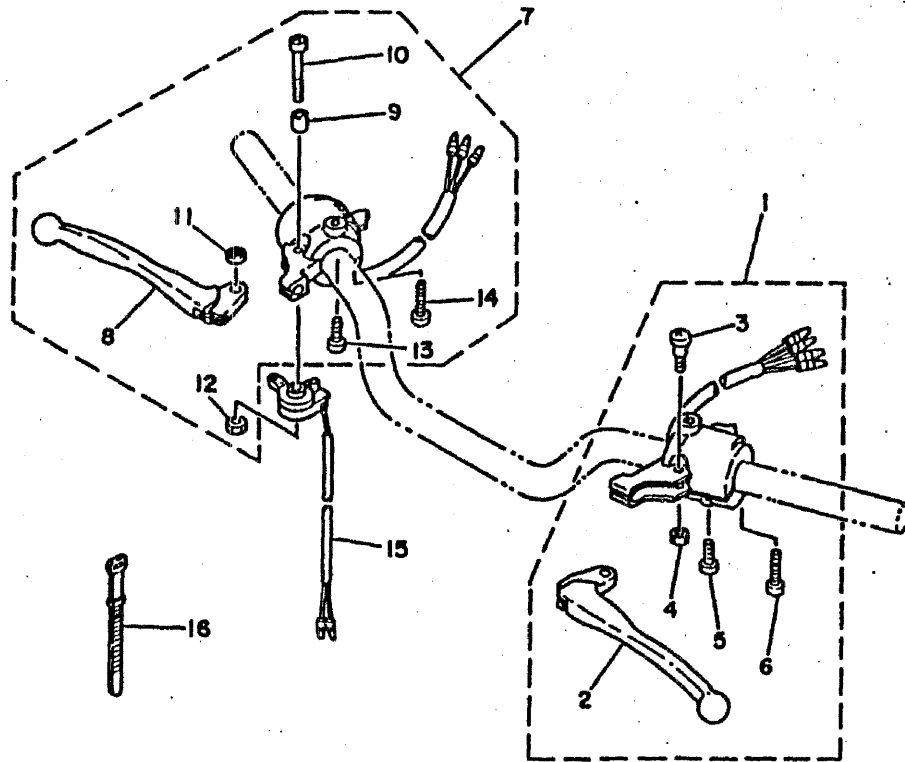
REF. NO.	PART NO.	DESCRIPTION	Q'TY	REMARKS
1	1X4-84510-91	TAILLIGHT UNIT ASSY	1	
2	1X4-84535-00	.BULB (6V-5W)	1	
3	1X4-84514-00	.BULB (6V-2W)	1	
4	1X4-84521-91	.LENS, taillight	1	
5	1X4-84524-90	.SCREW, lens fitting	2	
6	1X4-84551-00-35	BRACKET, licence	1	SILVER
7	97301-05010	BOLT	2	
8	92901-05100	WASHER, spring	2	
9	97313-06012	BOLT	2	
10	92901-06600	WASHER, plate	2	
11	92990-06100	WASHER, spring	2	
12	95303-06600	NUT	2	
13	1X4-84517-00	CORD, taillight	1	



2RU341-7310

D7

FIG. 22 HANDLE SWITCH, LEVER



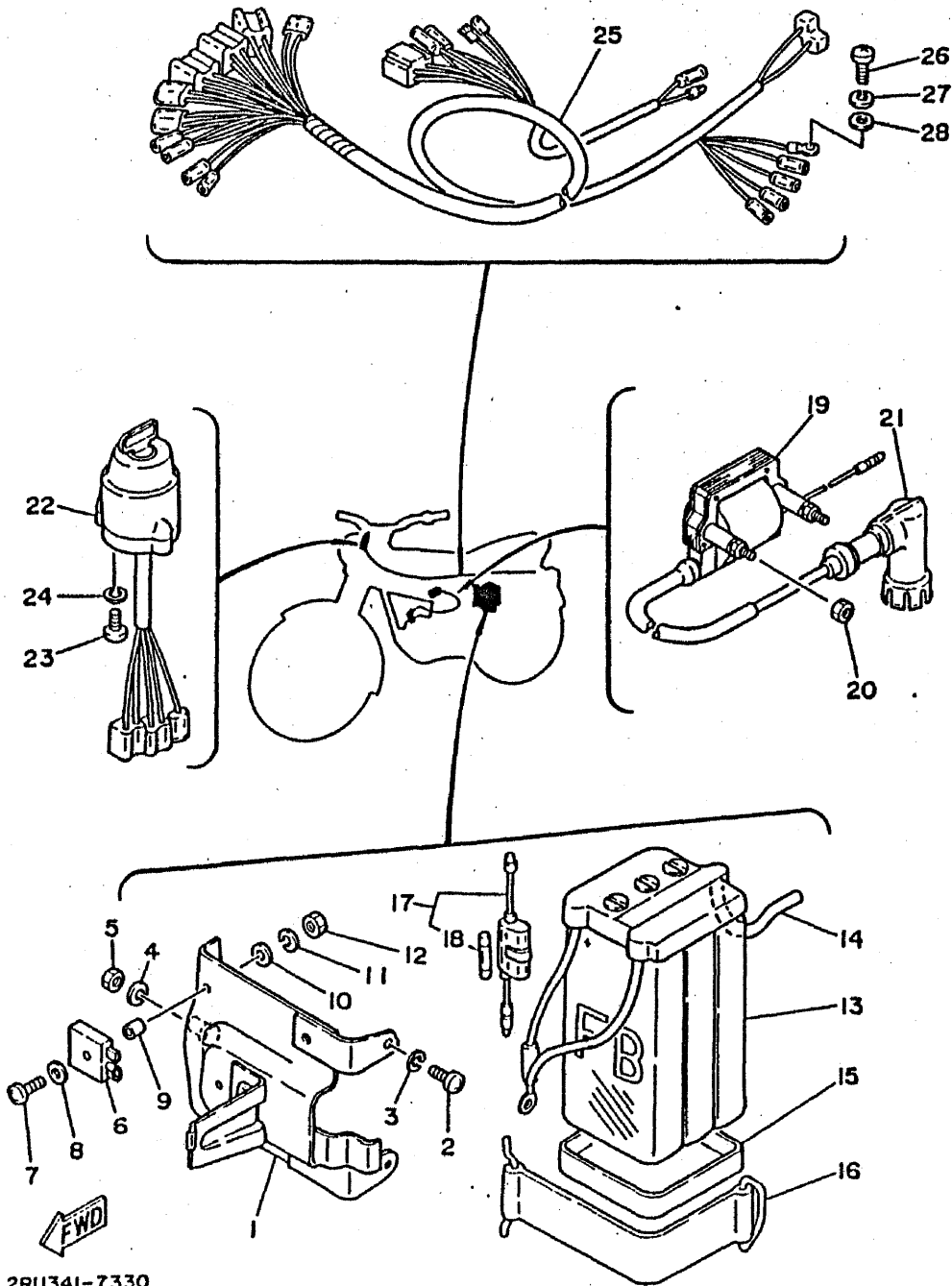
REF. NO.	PART NO.	DESCRIPTION	Q'TY	REMARKS
1	3E9-82910-00	LEVER HOLDER ASSY (LEFT)	1	
2	137-83912-02-38	.LEVER 1	1	
3	90149-05120	.SCREW	1	
4	95601-05100	.NUT, u	1	
5	98501-05018	.SCREW, pan head	1	
6	90157-05027	.SCREW, pan head	2	
7	3F0-82920-30	LEVER HOLDER ASSY (RIGHT)	1	
8	232-83922-31-38	.LEVER 2	1	
9	137-83913-01	.COLLAR, lever 1	1	
10	98501-05046	.SCREW, pan head	1	
11	92990-05200	.WASHER, plain	1	
12	95601-05100	.NUT, u	1	
13	98501-05018	.SCREW, pan head	1	
14	90157-05027	.SCREW, pan head	2	
15	232-83980-30	FRONT STOP SWITCH ASSY	1	
16	437-83936-00	BAND, switch cord	2	



3F0322-2320

D8

FIG. 33 ELECTRICAL 1



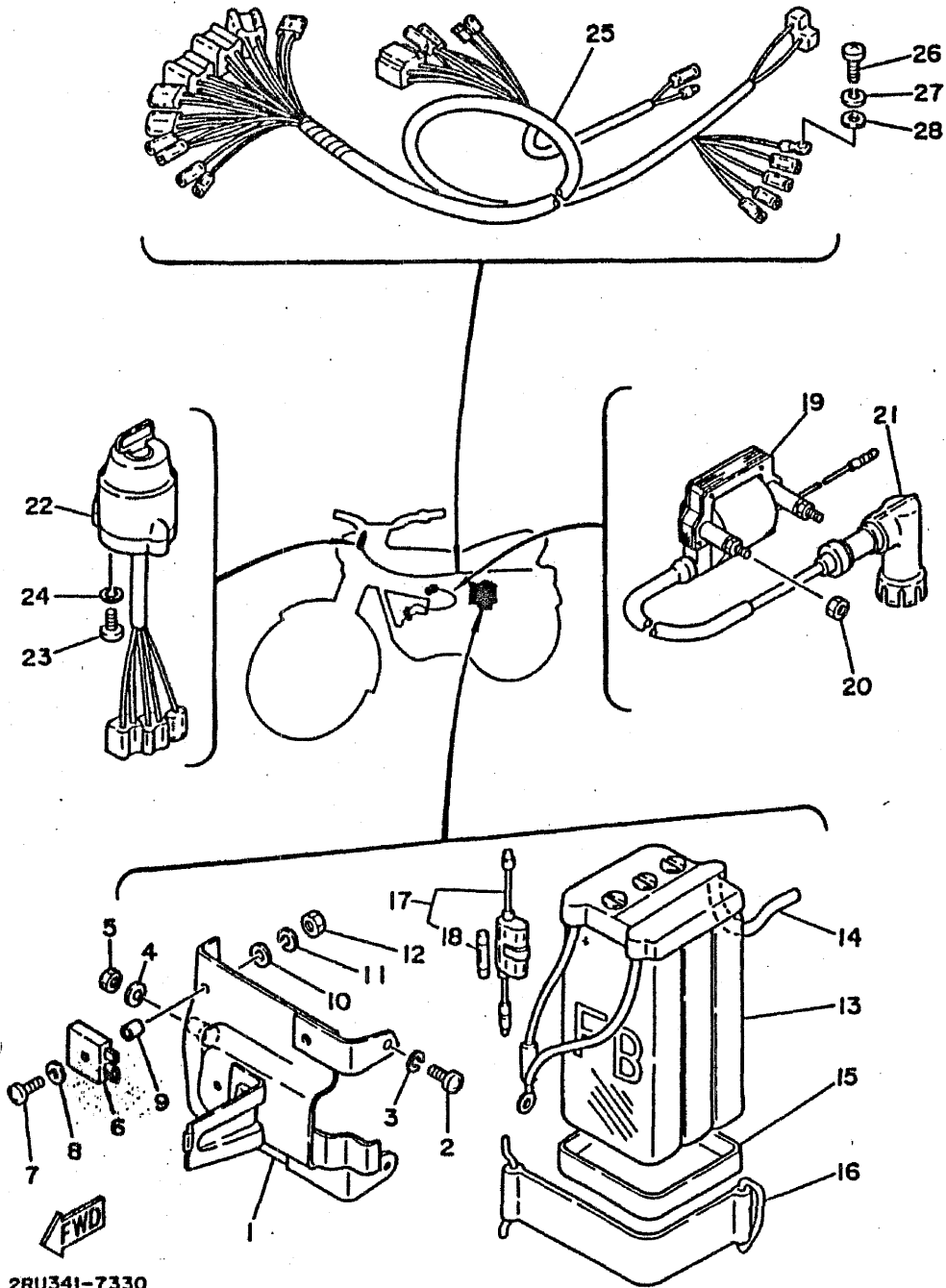
2RU341-7330

REF. NO.	PART NO.	DESCRIPTION	Q'TY	REMARKS
1	1Y1-81975-00	PLATE, rectifier fitting	1	
2	92501-06012	SCREW, pan head	2	
3	92990-06100	WASHER, spring	2	
4	92990-06100	WASHER, spring	1	
5	95303-06600	NUT	1	
6	353-81970-63	RECTIFIER ASSY	1	STANLEY
7	98501-05025	SCREW, pan head	1	
8	92901-05600	WASHER, plate	1	
9	355-81973-00	COLLAR, rectifier	1	
10	92990-05200	WASHER, plain	1	
11	92901-05100	WASHER, spring	1	
12	95301-05600	NUT	1	
13	104-82110-29	BATTERY ASSY (6N4A-4D)	1	
14	90445-08171	HOSE	1	
15	104-82122-00	SEAT, battery	1	
16	1Y1-82131-00	BAND, battery	1	
17	353-82150-00	FUSE HOLDER ASSY	1	
18	116-82151-00	.FUSE (10A)	1	
19	355-82310-MD	IGNITION COIL ASSY	1	
20	95303-06600	NUT	2	
21	166-82370-20	PLUG CAP ASSY	1	UR
	5R2-82370-20	PLUG CAP ASSY	1	UR WITH NOISE SUPPRESSOR
22	3F6-82510-20	MAIN SWITCH ASSY	1	
23	98501-05012	SCREW, pan head	2	
24	92901-05100	WASHER, spring	2	
25	2RU-82590-00	WIRE HARNESS ASSY	1	
26	92501-06012	SCREW, pan head	1	
27	92990-06100	WASHER, spring	1	

D9

FIG. 33 ELECTRICAL 1

REF. NO.	PART NO.	DESCRIPTION	Q'TY	REMARKS
28	92901-06600	WASHER, plate	1	

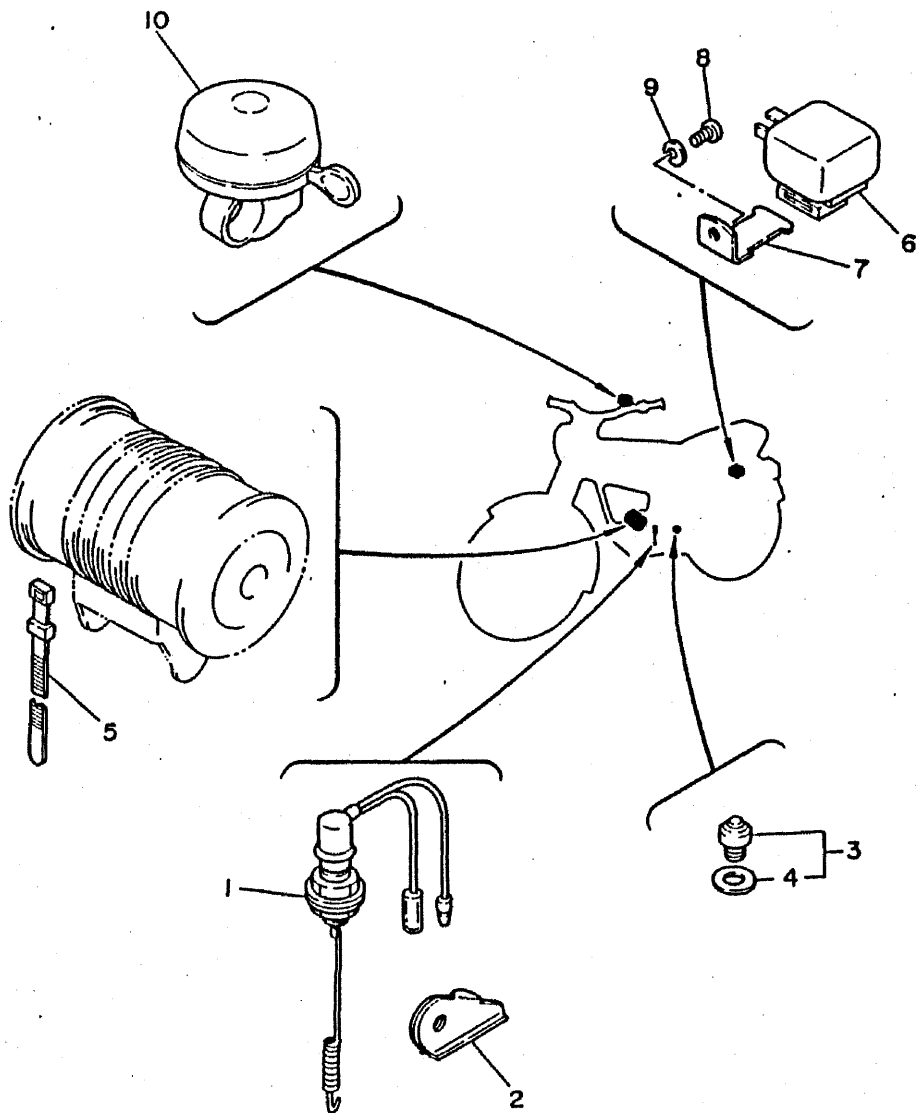


2RU341-7330

D10

FIG. 34 ELECTRICAL 2

REF. NO.	PART NO.	DESCRIPTION	Q'TY	REMARKS
1	205-82530-01	STOP SWITCH ASSY	1	
2	205-82539-00	STAY, stop switch	1	
3	136-82540-00	NEUTRAL SWITCH ASSY	1	
4	90430-11034	.GASKET	1	
5	437-83936-00	BAND, switch cord	1	
6	38A-83350-10	FLASHER RELAY ASSY	1	
7	474-83352-00	BRACKET, flasher relay 1	1	
8	92501-06012	SCREW, pan head	1	
9	92990-06100	WASHER, spring	1	
10	469-83382-00	BELL	1	



FWD

2RU341-7340

D11

NUMERICAL INDEX

PART NO.	GRID NO.	PART NO.	GRID NO.	PART NO.	GRID NO.	PART NO.	GRID NO.	PART NO.	GRID NO.	PART NO.	GRID NO.
127-W1412-00	B- 7	2N3-14411-00	B- 5	257-16342-00	B-12	3F0-21781-10	C- 4	122-24181-00	C- 9	2T5-26273-00	C-15
257-W1541-01	B-10	2N3-14412-00	B- 5	132-16346-00	B-10	3F1-21781-00	C- 4	3E8-24185-00	C- 9	2T5-26274-00	C-15
18A-W2534-00	C-11	4A5-14417-00	B- 5	257-16351-00	B- 5	3F0-21782-10	C- 4	3F0-24240-10	C- 9	1Y0-26290-10	C-15
	C-13	58E-14437-00	B- 5	137-16356-00	B-12	3F1-21782-00	C- 4	3F1-24240-00	C- 9	2RT-26311-00	C-15
3F1-11111-00	B- 2	2U0-14451-00	B- 5	257-16357-00	B-12	3F2-21796-00	C- 5	126-24319-01	C- 5	3F2-26312-00	C-15
517-11181-00	B- 2	58E-14453-00	B- 5	257-16371-01	B-12	1X9-22110-00-33	C- 6	367-24500-04	C- 9	3F2-26321-00	C-15
2RU-11311-00	B- 2	2U0-14458-00	B- 5	257-17121-00	B-13	180-22117-00	C- 6	355-24518-01	C- 9	156-26329-00	C-15
3E1-11351-00	B- 2	4A5-14458-00	B- 5	257-17131-01	B-13	102-22123-00	C- 6	102-24522-01	C- 9	355-26335-10	C-15
3E8-11400-00	B- 3	2N3-14476-01	B- 5	257-17141-00	B-13	40X-22141-00	C- 6	355-24523-00	C- 9	1Y0-26341-00	C-15
3E8-11412-00	B- 3	288-14481-02	B- 6	257-17211-00	B-13	122-22151-00	C- 6	603-24531-01	C- 9	164-26363-00	C-15
3E8-11422-00	B- 3	2N3-14493-00	B- 5	257-17219-00	B-13	3W3-22210-00	C- 6	122-24532-00	C- 9	207-27111-00	D- 2
260-11601-02	B- 3	2N3-14498-00	B- 5	257-17221-01	B-13	260-22311-00-35	C- 6	122-24610-01	C- 9	122-27112-00	D- 2
260-11601-12	B- 3	348-14611-00	B- 8	257-17231-00	B-13	3F0-23101-30	C- 8	122-24612-01	C- 9	116-27114-00	D- 2
260-11601-22	B- 3	1L4-14612-00	B- 8	3E8-17241-00	B-13	395-23111-00	C- 8	2RU-24730-00	C-10	109-27115-00	D- 2
3E8-11631-00-96	B- 3	132-14613-00	B- 8	257-17411-01	B-13	207-23112-00	C- 8	2RU-24731-00	C-10	394-27211-00-91	D- 2
102-11633-02	B- 3	2RU-14710-00	B- 8	3F0-17421-00	B-13	307-23114-00	C- 8	1K8-25016-00-Y8	C-11	180-27231-01	D- 2
3E8-11635-00	B- 3	1J5-14713-00	B- 8	257-17471-01	B-13	201-23116-00	C- 8	355-25026-00-Y8	C-13	260-27411-00	D- 2
3E8-11636-00	B- 3	1J5-14714-00	B- 8	257-18101-01	B-15	3W3-23117-00	C- 8	109-25104-10	C-11	122-27413-00	D- 2
3R1-11651-01	B- 3	5K2-1490J-00	B- 7	257-18111-00-91	B-15	260-23121-40-33	C- 8	517-25111-00-Y8	C-11	120-27431-00	C- 6
257-11681-00	B- 3	257-15111-01	B- 9	132-18113-01	B-15	1Y1-23122-00	C- 8	195-25115-00	C-11	120-27433-00	C- 6
3F6-13101-00	B- 4	257-15121-01	B- 9	132-18140-01	B-14	3E9-23124-00	C- 8	322-25118-00	C-12	3F0-28100-00	C- 2
8Y0-13116-00	B- 4	315-15362-01	B-10	259-18511-01	B-14	367-23125-60	C- 8	296-25135-00	C-11	2RV-81310-M0	D- 3
137-13137-00-10	B- 4	498-15371-00	B- 9	257-18512-01	B-14	3W3-23126-00-35	C- 8	109-25136-00	C-11	3F6-81312-M0	D- 3
137-13138-01	B- 4	257-15413-00	B-10	257-18531-00	B-14	260-23131-40-33	C- 8	102-25137-00	C-12	2RV-81313-M0	D- 3
3F2-13151-00	B- 4	164-15415-00	B-10	257-18534-00	B-14	3E9-23134-00	C- 8	296-25138-00	C-11	1V1-81321-20	D- 3
214-13162-01	B- 4	257-15417-01	B-12	257-18540-60	B-14	3W3-23136-00-35	C- 8	183-25149-00	C-11	481-81325-M0	D- 3
257-13175-00	B- 4	257-15421-01	B-10	136-18542-00	B-14	207-23141-10	C- 8	538-25155-00	C-11	481-81331-M0	D- 3
1E7-13176-00	B- 4	257-15433-00	B- 6	164-18561-00	B-14	209-23142-40	C- 8	353-25181-03	C-11	481-81332-M0	D- 3
257-13178-00	B- 4	257-15451-00	B-10	355-21110-03-33	C- 2	1T8-23145-00	C- 8	296-25304-10	C-13	355-81350-M0	D- 3
257-13512-01	B- 5	257-15463-00	B-10	596-21158-00	C- 2	367-23146-60	C- 8	462-25311-01-35	C-13	353-81970-63	D- 9
257-13515-00	B- 5	156-15618-01	B-11	596-21191-00	C- 2	1T8-23156-00	C- 8	102-25315-00	C-13	355-81973-00	D- 9
257-13551-00	B- 5	257-15620-01-91	B-11	3F2-21288-00	C- 2	207-23163-00	C- 8	3Y6-25351-00	C-11	1Y1-81975-00	D- 9
180-13554-00	B- 5	305-15641-00	B-11	1J5-21308-00	C- 2	3W3-23191-00	C- 8		C-13	104-82110-29	D- 9
5K2-1410A-00	B- 7	117-15644-00	B-11	58E-21364-00	C-15	260-23318-40	C- 8	538-25355-00	C-13	104-82122-00	D- 9
2RU-14101-00	B- 7	257-15651-01	B-11	1U1-21510-10-93	C- 3	1Y2-23340-30-33	C- 8	102-25371-00	C-13	1Y1-82131-00	D- 9
283-14112-25	B- 7	132-15653-00-10	B-11	122-21517-00	C- 3	1M3-23346-00	C- 8	353-25381-00	C-14	353-82150-00	D- 9
405-14114-00	B- 7	305-15660-04	B-11	1X4-21610-00	C- 3	2N3-23408-00	C- 7	1U0-25388-00	C-14	116-82151-00	D- 9
395-14121-00	B- 7	132-15664-01	B-11	3E8-21711-00	C- 4	156-23411-00	C- 7	102-25389-00	C-14	355-82310-M0	D- 9
127-14125-01	B- 7	257-15668-00	B-11	1Y1-21714-00	C- 4	183-23411-00	C- 7	2A3-25412-00	C-13	166-82370-20	D- 9
127-14131-00	B- 7	132-15676-01	B-11	3F2-21721-00	C- 4	156-23412-00	C- 7	288-25445-10-33	C-13	5R2-82370-20	D- 9
127-14133-00	B- 7	257-16111-01	B-12	1Y1-21724-00	C- 4	183-23412-00	C- 7	1Y0-26111-00	C-15	3F6-82510-20	D- 9
2RU-1414Y-00	B- 7	257-16150-03	B-12	3F2-21750-00	C- 5	136-23415-00	C- 7	353-26241-00	C-15	205-82530-01	D-11
127-14141-14	B- 7	122-16164-00	B-12	1Y1-2176A-00	C- 5	185-23435-00-98	C- 7	353-26242-00	C-15	205-82539-00	D-11
260-14142-25	B- 7		B-12	1Y1-21763-00	C- 5	462-23441-00-98	C- 7	1Y1-26243-00	C-15	136-82540-00	D-11
260-14184-00	B- 7	278-16165-00	B- 5	1Y1-21764-00	C- 5	462-23442-00-98	C- 7	2T5-26244-00	C-15	2RU-82590-00	D- 9
470-14185-00	B- 7	131-16321-00	B-12	2N3-21771-01	C- 5	3E8-24110-01-X7	C- 9	2T5-26261-01	C-15	3E9-82910-00	D- 8
260-14190-12	B- 7	257-16324-00	B-12	1Y1-21776-00	C- 5	3E8-24110-01-X9	C- 9	2T5-26262-00	C-15	3F0-82920-30	D- 8
12R-14191-00	B- 7	257-16341-00	B-12	164-21778-00	C- 5	388-24161-00	C- 9	2T5-26267-00	C-15	2M6-83310-M0	D- 4

NUMERICAL INDEX

PART NO.	GRID NO.	PART NO.	GRID NO.	PART NO.	GRID NO.	PART NO.	GRID NO.	PART NO.	GRID NO.	PART NO.	GRID NO.
152-83311-10	D-4	90119-05001	B-12	90338-26136	B-9	91401-12010	B-7	92901-08600	C-10	93306-30003	C-11
	D-4	90119-06017	C-7	90340-12005	B-9	91401-16015	C-6		C-10	93306-30101	C-13
1Y1-83312-01	D-4	90123-06011	C-15	90387-10277	C-12	91401-20015	C-14		D-6	93306-30301	B-13
	D-4	90149-05120	D-8	90387-12412	C-14		D-2	92901-10100	C-7	93306-30302	B-3
3F5-83330-NO	D-4	90149-08094	B-15	90387-127E0	C-14	91401-20020	C-12	92901-10200	C-6	93310-11268	B-3
2N3-83333-NO	D-4	90152-05005	D-6	90387-17135	B-5		B-5	92901-12100	C-14	93310-418T0	B-3
	D-4	90152-05009	C-7	90401-06001	B-4	91401-50085	C-5	92990-05200	D-8	93410-25017	B-11
38A-83350-10	D-11	90157-05027	D-8	90430-04004	B-4	91609-40016	B-14		D-9	93430-12008	D-2
474-83352-00	D-11		D-8	90430-06011	B-4	92501-06012	B-13	92990-06100	C-2	93440-16030	B-13
469-83382-00	D-11		D-8	90430-06017	B-5		C-5		C-14		B-13
3F4-83510-FO	D-5	90159-04027	D-11	90430-11034	D-11		C-15		C-15	93440-32017	B-14
1M3-83513-00	D-5	90167-03004	C-15	90430-12038	B-9		D-9		D-7	93450-13022	B-3
122-83516-10	D-5	90170-08158	C-13	90430-12038	B-9		D-9		D-9	93501-04011	B-12
1U0-83519-00-98	D-5	90170-10038	C-15	90445-05013	B-7		D-11		D-9		C-7
4A7-83520-00	D-5	90170-12060	B-12	90445-05019	B-4	92501-06014	B-5		D-9	93503-16010	B-12
355-83522-00	D-5	90170-12175	D-3	90445-074F1	B-7	92501-06018	B-10		D-11	93603-08067	B-5
355-83526-00	D-5	90171-10004	C-12	90445-08171	D-9	92501-06030	B-9	92990-08100	B-8	93603-22028	B-4
241-83550-01	D-5	90176-10013	C-14	90445-09112	C-9		B-10		C-2	93604-14012	B-5
137-83912-02-38	D-8	90179-06143	C-6	90446-07009	B-9	92501-06040	B-10		C-2	93604-22050	B-14
137-83913-01	D-8	90179-06176	C-15	90460-53140	B-5		B-10		C-3	93605-20043	B-14
232-83922-31-38	D-8	90179-12244	D-2	90467-08003	C-5	92501-06050	B-10		C-3	93811-12009	B-13
437-83936-00	D-8	90179-25051	B-12		C-9		B-9		C-14	94125-17259	C-11
	D-11	90185-10060	C-7	90468-02033	B-4		B-10		D-2		C-13
232-83980-30	D-8	90201-061A5	C-6	90468-10050	C-14	92501-06055	B-9		D-4	94225-17082	C-11
104-84114-00	D-8	90201-061A5	C-14	90468-26048	B-11	92501-06060	B-9		D-4		C-13
241-84311-00-33	D-6	90201-06412	D-5	90480-01141	C-4	92501-06065	B-9		D-4	94332-17112	C-11
241-84312-00	D-6	90201-07076	C-11	90480-10068	C-11	92502-16018	B-7		D-4		C-13
195-84315-01	D-6	90201-08624	C-13		B-9	92503-06045	B-9		D-6		C-11
195-84320-00	D-6	90201-10135	B-4	90480-10091	B-5		B-10	92990-10600	C-7	94412-17002	C-11
195-84324-00	D-6	90201-10437	C-6	90480-12012	B-10	92701-06030	C-2		C-12	94414-17003	C-13
1X4-84510-91	D-7		C-6	90480-12013	C-3	92901-04100	D-3		B-4	94580-52100	C-13
1X4-84514-00	D-7	90201-105H9	B-4	90480-13203	C-2		D-3	93101-10090	B-12	94680-52001	C-13
1X4-84517-00	D-7	90201-122A7	B-4	90480-16233	C-5	92901-05100	B-4		B-15	94701-00248	B-2
1X4-84521-91	D-7	90201-12535	D-3	90501-05512	C-15		B-14	93102-17187	B-13	95301-05600	B-4
1X4-84524-90	D-7	90201-12575	B-15	90501-10245	D-2		C-3	93102-20009	B-3		B-7
1X4-84535-00	D-7	90201-13202	B-11	90501-20122	B-12		D-7	93103-28012	B-5		C-3
1X4-84551-00-35	D-7	90201-20269	C-11	90506-06095	B-6		D-9	93104-07003	C-11		C-9
90101-06278	C-11	90201-20279	C-6	90506-07066	B-10	92901-05600	D-9	93104-21016	C-13		D-9
	C-13	90206-15021	B-11	90506-09009	B-15		C-3	93105-47007	C-11	95303-06600	B-2
	D-2	90208-12015	B-12	90506-09112	B-14		C-6	93106-20001	C-11		C-11
90101-08246	C-2		B-12	90506-18288	C-11		C-6	93106-20002	C-13		C-13
90101-08285	C-2	90209-10021	C-7		C-13		D-9	93108-15001	B-12		C-14
90101-10255	C-6	90209-10021	C-7	90506-20041	D-2	92901-06200	B-2		B-11		D-5
90105-10006	C-7	90240-06009	C-6	90506-29054	D-2	92901-06600	C-3		B-5		D-7
90109-06001	B-14	90249-12008	D-2	90508-26136	B-14		C-5	93210-12014	C-12		D-9
90109-08183	C-13	90250-06013	B-14	90508-32207	B-11		D-2	93210-14104	B-5		D-9
90109-08319	C-13	90280-03017	B-3	90560-10292	B-15		D-7	93210-23029	B-7	95303-06700	B-12
90113-06009	B-12	90282-05005	B-12	90560-12170	C-11		D-10	93220-08002	B-13	95303-08600	B-8
90116-06026	B-2	90334-10006	B-9	90560-17150	C-13		C-14	93306-20333	B-3		B-15
		90338-07011	C-15		B-12	92901-08200		93306-20453			

NUMERICAL INDEX

PART NO.	GRID NO.	PART NO.	GRID NO.	PART NO.	GRID NO.	PART NO.	GRID NO.	PART NO.	GRID NO.
95303-08600	C- 2	99001-10600	B-15						
	C-10	99009-13400	B-11						
95303-08700	C-13		B-13						
	D- 4		B-13						
	D- 4	99009-15400	B-11						
	D- 4	99009-16400	B-13						
	D- 6	99009-20400	C-11						
95303-10600	C- 7	99510-12016	B- 9						
95601-05100	D- 8	99530-10014	B-10						
	D- 8		B-10						
95701-08500	C- 2								
95811-08090	C- 2								
95811-08120	C- 2								
95821-08100	C- 2								
97011-06020	B-15								
97301-05010	D- 7								
97301-08012	C- 3								
97311-06025	B-11								
97313-06012	C- 2								
	D- 7								
97313-06016	C- 3								
97313-08016	C- 2								
	C- 3								
	C-10								
97313-08020	D- 6								
97313-08030	C- 2								
98501-04006	B-10								
	D- 3								
98501-04008	B- 5								
98501-05008	B- 4								
	C- 6								
98501-05012	B-14								
	C- 3								
	D- 9								
98501-05016	B- 4								
98501-05018	D- 8								
	D- 8								
98501-05020	C- 6								
98501-05025	D- 9								
98501-05046	D- 8								
98511-04025	D- 3								
98580-04010	D- 3								
98701-05016	D- 3								
98901-04008	B- 4								
98903-06010	B- 5								
99001-08600	B- 4								
	B-14								
	B-14								